



FAÇADE SYSTEMS



ROOF SYSTEMS



CLEANROOM SYSTEMS



COLD STORAGE SYSTEMS



MODULAR INTELLIGENT SPACE



FLOOR SYSTEMS



CONSTRUCTION SERVICE



wiskind.com

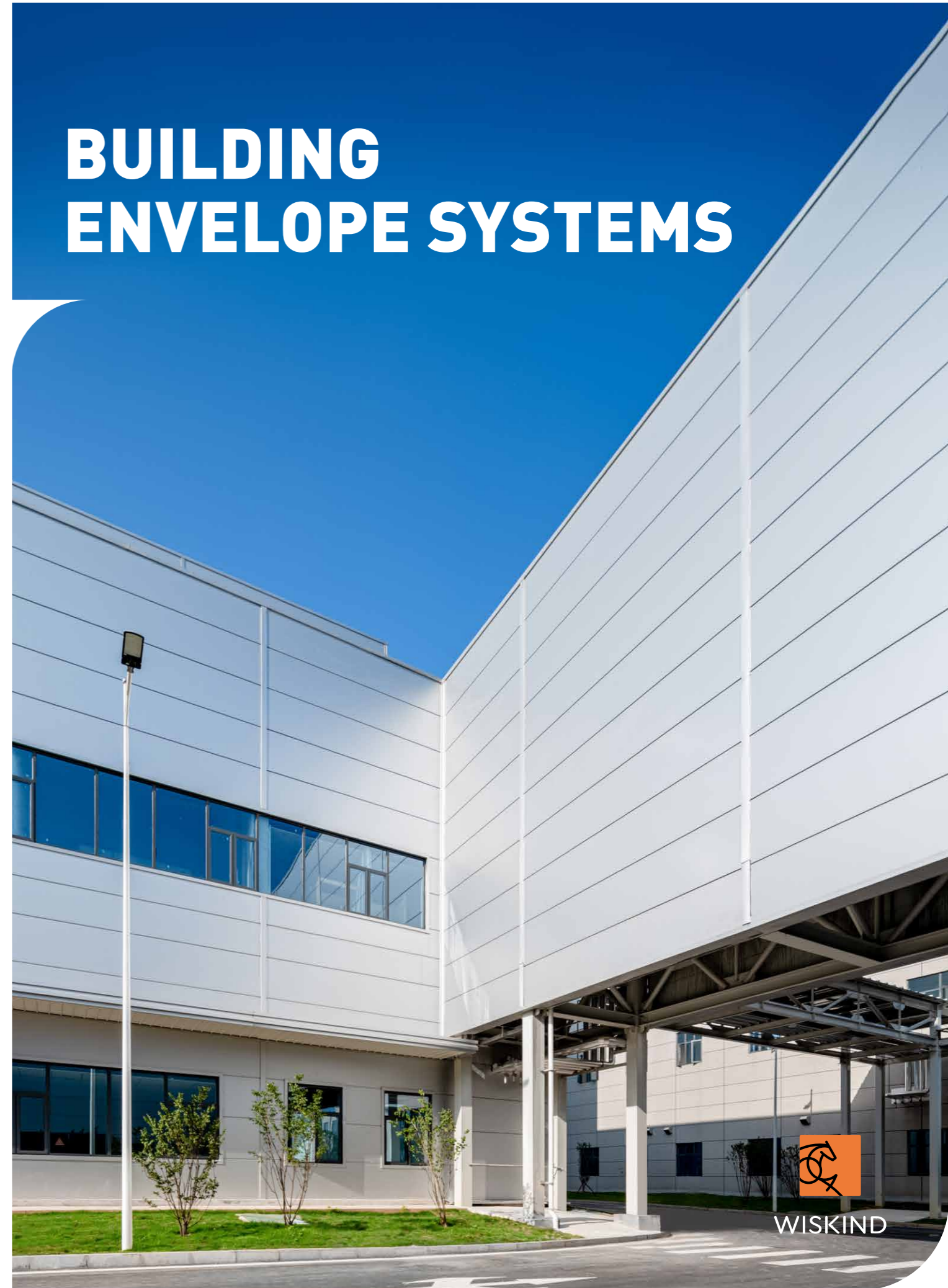
400-118-0688

Version 3.0-202405 All rights reserved by Wiskind. Techniques and processes are subject to modification without notice.

BUILDING ENVELOPE SYSTEMS

# BUILDING ENVELOPE SYSTEMS

wiskind.com



WISKIND



# GREEN BUILDINGS EMPOWERED BY TECHNOLOGY & INNOVATION

## Contents

<b>Wiskind Building Envelope Systems</b>	02
<b>Product Philosophy</b>	07
<b>Envelope System Comprehensive Solutions</b>	08
<b>Façade Systems</b>	10
Materials & Processes	12
Sandwich Façade Systems	16
Sandwich Curtain Wall Systems	34
Single Panel Façade System	44
Lining Panel Systems	50
<b>Roofing System</b>	52
Single Panel Roofing Systems	54
Single-Ply Roofing Systems	64
Sandwich Roofing Systems	66
<b>Floor Decking System</b>	70
<b>Classic Panel Types</b>	72
<b>Substructures &amp; Auxiliary Materials</b>	76
<b>Professional Services</b>	78
<b>Our Partners</b>	80



# WISKIND BUILDING ENVELOPE SYSTEMS

The building envelope consists of two major systems: the façade and the roof, which are linked up to the main structure through a reasonable form to realize the functions of heat preservation, waterproofing, wind resistance, sound insulation, energy saving and aesthetics of the building. The Wiskind envelope lineup enjoys a complete product system and a wide product range, including sandwich and profiled panels, as well as corresponding accessories, to provide the client with a total solution for building envelope systems. For over forty years, Wiskind has been committed to the research, development, manufacturing, and application of metal enclosure products. Continuously exploring new materials and technologies, it has provided various building enclosure products covering billions of square meters for tens of thousands of engineering projects. It focuses on empowering national strategic emerging industries such as lithium batteries, semiconductor electronics, new energy vehicles, photovoltaics, wind power, medical care, food processing, modern agriculture, and animal husbandry.

Building for Beauty and Eternity, for the Creation of a Better Life. The advancement of science and technology, the evolution of society, and people's yearning for a better life is an inexhaustible force that drives Wiskind to continue its development and shape the future.

## Qualifications & Honors

- National-Level Specialized, Refined, Distinctive, and Innovative Small Giant
- National High-Tech Enterprise
- Green Factory Enterprise
- Provincial-Level Intelligent Factory
  
- FM Product Certification
- CE Product Certification
- Green Building Materials Three-Star Certification
- CNAS Laboratory Certification
  
- Top 30 Enterprises in China's Steel Structure Industry
- Top 10 Comprehensive Competitiveness in the Building Metal Roof (Wall) Industry
- Outstanding Contribution Unit in the Metal Enclosure System Industry
- Outstanding Contribution Enterprise in the Building Metal Structure Industry
- Integrity Enterprise in the Steel Structure Industry
- AAA Credit Enterprise in the Construction Industry
  
- Special Grade for Light Steel Structure Engineering Design
- First-Level Qualification for Steel Structure Engineering Specialty Contracting
- First-Level Qualification for China's Steel Structure Manufacturing Enterprises
- Special Grade Qualification for Design and Construction of Building Metal Roof (Wall)
- Special Grade Qualification for China's Metal Enclosure System Contractors



## Jiangsu Manufacturing Base

Located in the Zhenjiang Economic and Technological Development Zone, covering an area of 150 acres with a building area of 45,000 square meters, including production lines for sandwich insulation panels and clean panels. The Jiangsu base is a demonstration factory for Wanda's construction steel products and a benchmark in the building enclosure industry. It holds pioneering significance for promoting intelligent manufacturing in the construction steel products industry.

Jiangsu Manufacturing Base of WAS



# TO BE A RESPECTED ENTERPRISE CAPABLE OF SUSTAINABLE DEVELOPMENT

## Shandong Manufacturing Base

Covering a land area of over 460mu, the manufacturing base is located in Boxing Economic Development Zone, Binzhou, Shandong Province. The production lines that have been put into operation include sandwich panel, curtain wall, profiled panel, cold storage panel, cleanroom panel, cleanroom doors / windows, and steel structure. It is also where the Innovation R&D Center and Wiskind Headquarters are situated.

## Innovation Center

"Covering a floor area of 5,000sqm, the Innovation Center is dedicated to the R&D and testing of the components and parts of the metal envelope system for prefabricated buildings. Specialized laboratories of mechanics, thermal engineering, environment, metal materials, inorganic non-metal materials, organic materials, etc. Offer perfect experimental and testing conditions for the development of high-quality building products."







Exhibition Hall at Wiskind Headquarters

# PRODUCT PHILOSOPHY

## Green Building Materials

More than 30 years ago, the 1st International Conference on Materials Science & Engineering put forward the concept of "green materials" for the first time, and the 14th Five-Year Plan has set the ambitious "dual" carbon reduction target. Today, various healthy, eco-friendly, and safe building materials are widely used. In the manufacturing process, rational use of resources, reduction of energy consumption, pollutant-free production, solid waste reduction, and full coverage management during the whole life cycle of materials have also become the consensus and code of conduct for the entire industry, reflecting people's yearning and pursuit of the "human-oriented and eco-friendly" development concept. Building envelope is the most important category of green building materials. In this regard, Wiskind has gained rich practical experience, and mastered mature design, processing and application technologies, thus able to provide the client with a series of thermal insulation, waterproof, sound insulation, energy saving and aesthetic new composite wall panels. Wiskind researches and applies building envelope materials as a system, and pays attention to the design of structural systems, thereby effectively improving the overall performance of the product in the real-world application environment.

## Prefabricated Construction

"Prefabricated building is an important achievement of the application of modern industrial technology in the field of construction, of which the concept was originated in the early 20th century and finally realized in Europe in the 1960s. In recent years, with the rapid development of materials, processes and information technologies, the advantages of prefabricated buildings in saving materials, quickening construction, reducing waste and optimizing functions have become increasingly prominent. Since 2015, the Chinese government has intensively promulgated a number of policies and regulations to promote prefabricated buildings across the country, which has achieved breakthroughs and become an important driver for the adjustment and upgrading of the industrial structure of China's construction industry."

"Wiskind building envelope products follow the advanced concept of the prefabricated building. In terms of material structure, system design, process flow, etc., its exterior façade, roof and other product series bring the advantages of standardized design, factory processing, and modular construction of the prefabricated building into full play, while always maintaining the industry-leading level. At the same time, Wiskind attaches great importance to the organic combination of standardized products and customized designs, so as to meet the diversified and personalized needs of the client, and fully explore the aesthetic value of prefabricated buildings."

## Personalized Space

"Today, with the rapid development of industrial upgrading and intelligent manufacturing, people pay more and more attention to building-environment coordination, uniqueness and sustainability, as well as the quality and human-oriented orientation of architectural spaces. A human-centric architectural space not only provides people with an efficient working environment, but also creates an excellent living environment for them, i.e., through intelligent control and adjustment of heat, light, sound and other environmental conditions, people's physical and psychological comfort can be improved to adapt to their needs in different seasons and time periods, or different life and work scenarios, since a human-oriented space allows the hard building to be emotional and alive."

"Building envelope products are an important technical path to create human-oriented architectural spaces. For a long time, Wiskind has focused on the R&D of building comfort and adaptability, and put the development and application of building envelope products in broader environmental conditions for consideration, including sunlight exposure, climatic features, geographical conditions, seasonal changes, urban space and application environment, so as to provide unique solutions for the construction of human-oriented architectural spaces."



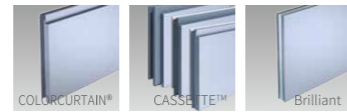
# ENVELOPE SYSTEM COMPREHENSIVE SOLUTIONS

## Façade Systems

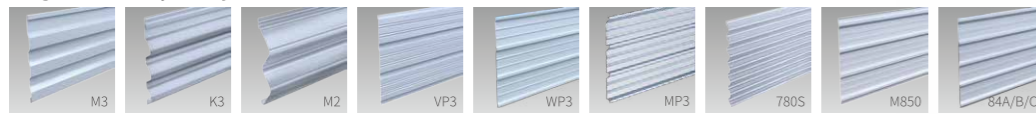
### Sandwich Façade Systems



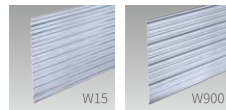
### Sandwich Curtain Wall Systems



### Single Panel Façade Systems

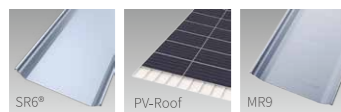


### Lining Panel Systems

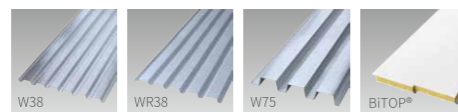


## Roofing Systems

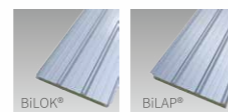
### Sandwich Roofing Systems



### Single-Ply Roofing Systems

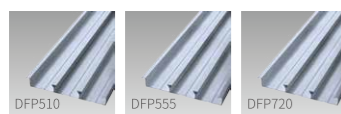


### Single Panel Roofing Systems

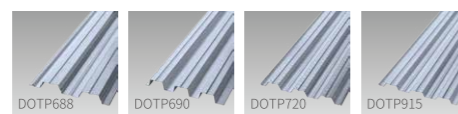


## Floor Decking System

### Floor Deck (Closed)

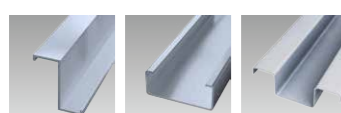


### Floor Deck (Opened)

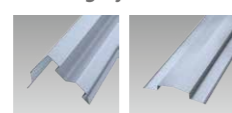


## Substructures & Auxiliary Materials

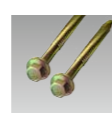
### Purlin



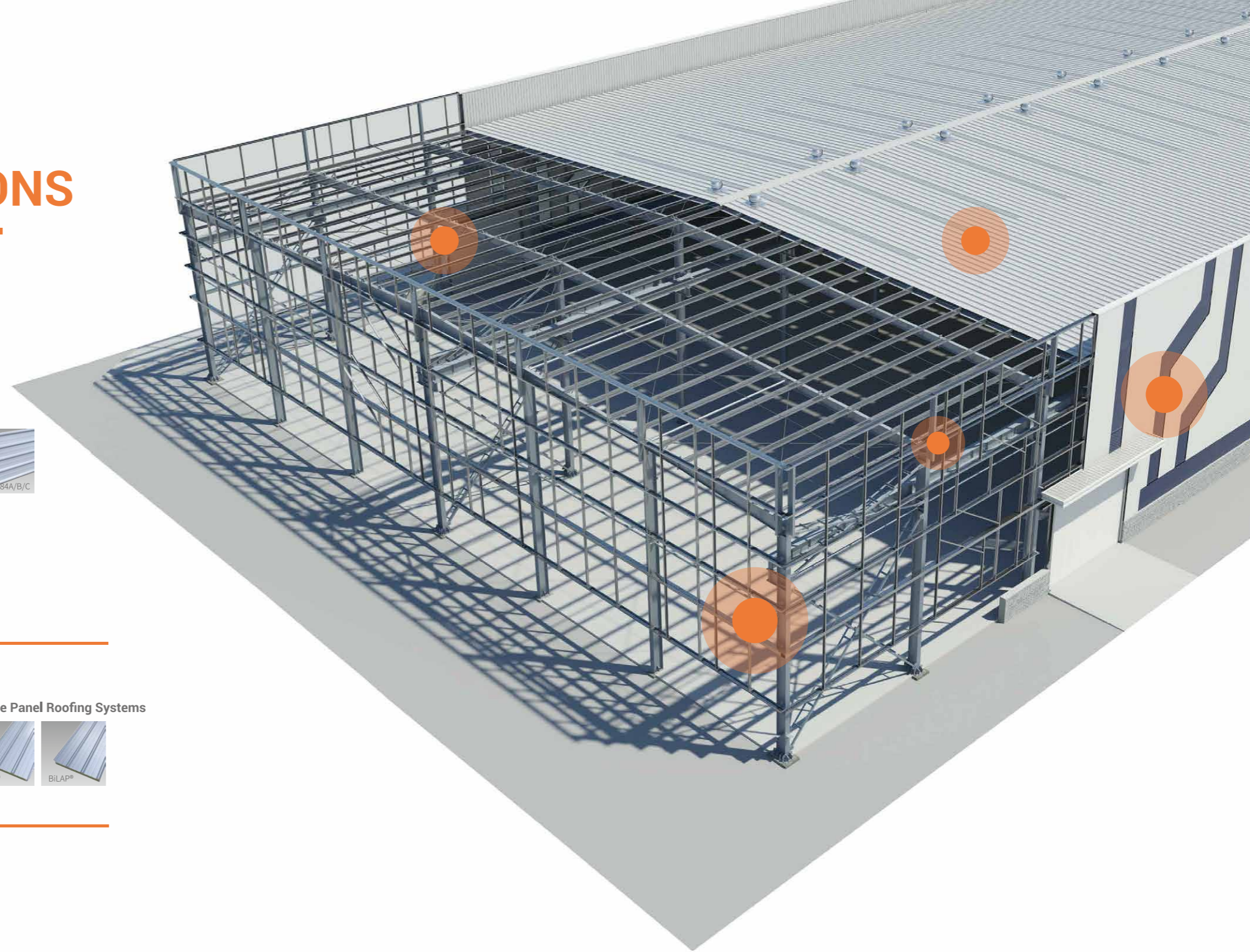
### Flashing System



### Wiskind® Fastener



Self-drilling and self-tapping nails





# FAÇADE SYSTEMS

Feel the Aesthetics of Architectural Surface

Wiskind metal façade products are the most original when it comes to material structure, system design and manufacturing processes. The state-of-the-art, prefabricated architectural design concept brings the advantages of standardized design, in-factory processing and modular construction into full play. The sophisticated quality and distinctive style of Wiskind metal façade not only fulfill the functional requirements for comfort, eco-friendliness and energy saving performances of the building, but also create a unique aesthetic effect for the building.

## Sandwich Façade Systems

- Outstanding thermal insulation performance
- Able to meet the highest fire protection requirements
- A diversity of surface textures, colors and visual effects are available
- Outstanding customization capability to meet personalized needs

## Sandwich Curtain Wall Systems

- Smoother panel surface, excellent visual effect
- Outstanding insulation, water-tightness, and air-tightness performance
- More refined detailing, showcasing architectural texture
- Prefabricated format for more efficient installation

## Single Panel Façade Systems

- Sufficient support to ensure panel flatness.
- Increase building span and improve the overall cost performance.
- Direct fixation and fast installation.
- Able to be used as perforated acoustical panel.

## Lining Panel Façade Systems

- Sufficient support to ensure panel flatness.
- Increase building span and improve the overall cost performance.
- Direct fixation and fast installation
- Able to be used as perforated acoustical panel.





# Materials & Processes

Exquisite Craftsmanship, Creative Ingenuity

## What is a Sandwich Panel?

As a new building material, sandwich panel is a self-supporting composite panel composed of two metallic surfaces and an insulating core bonded between the two surfaces. In recent years, it has been widely used in various industrial buildings, allowing the building appearance to be more expressive, and creating an architectural effect that is simple, modern and elegant, to reflect the creativity of the architect and bring their design ideas to life. Therefore, it is highly favored by both the owner and the architect.

Wiskind sandwich composite panel selects high-quality raw materials combined with mature panel type and scientific installation details design, to create a multi-purpose sandwich panel that features outstanding fire resistance, heat preservation, watertightness, weatherability, wind resistance, pressure resistance, as well as sound absorption and insulation, so as to meet the personalized requirements of the client.

## Face Material of Sandwich Panel

### Steel

Select domestic high-quality color coated steel sheet, and adopt cold-rolled steel sheet (electro-galvanized steel, hot-dip galvanized steel or galvanized steel sheet) as the substrate, which, after degreasing, phosphating and chromate treatment, is continuously roll coated with organic paint before baking. The whole process goes through a series of production management and quality control steps. The commonly used coatings for color coated steel sheets include PVDF, HDP, PE and more.

Wiskind only selects color-coated steel sheets that meet the performance standards, which must pass stringent screening: coating thickness, corrosion resistance (salt spray), resistance to fading & chalking, resistance to dust adhesion, pencil hardness & gloss, T-bend test & reverse testing related to impact performance, and mechanical properties (yield strength, tensile strength, elongation), etc.

### Aluminum

Select famous brand aluminum sheets, of which the excellent corrosion resistance is able to improve the overall durability of the building, and share the same life cycle with the building. With great flexibility and processability, it can be processed into various complex shapes such as flat and curved surfaces, while keeping its painted surface intact. It is light in weight but high in strength, and possesses a higher recycling value.



Resistant to Fading & Chalking



Resistant to Dust Adhesion



Mechanical Performance



T-bend & Reverse Tests (Strength)



Pencil Hardness & Gloss



Resistant to Chalking



Corrosion Resistance (salt spray)



Coating Thickness

## Core Material of Sandwich Panel

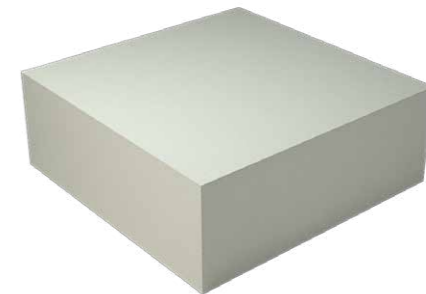
### Rock Wool / Glass Wool

High-quality raw materials are selected to produce the non-combustible high-density water-repellent rock wool. After high temperature melting and high-speed centrifugation, the materials, high-quality basalt and diabase, are drawn into fibers, and then added with a small amount of additives, such as binder, dust-proof oil, and water repellent. The product features excellent fire resistance, great sound insulation & heat insulation performance, and can be recycled continuously. Non-combustible glass wool boasts a light weight, low thermal conductivity, great sound absorption / waterproof performances, corrosion resistance, outstanding chemical stability, good processability, and superior economic applicability.



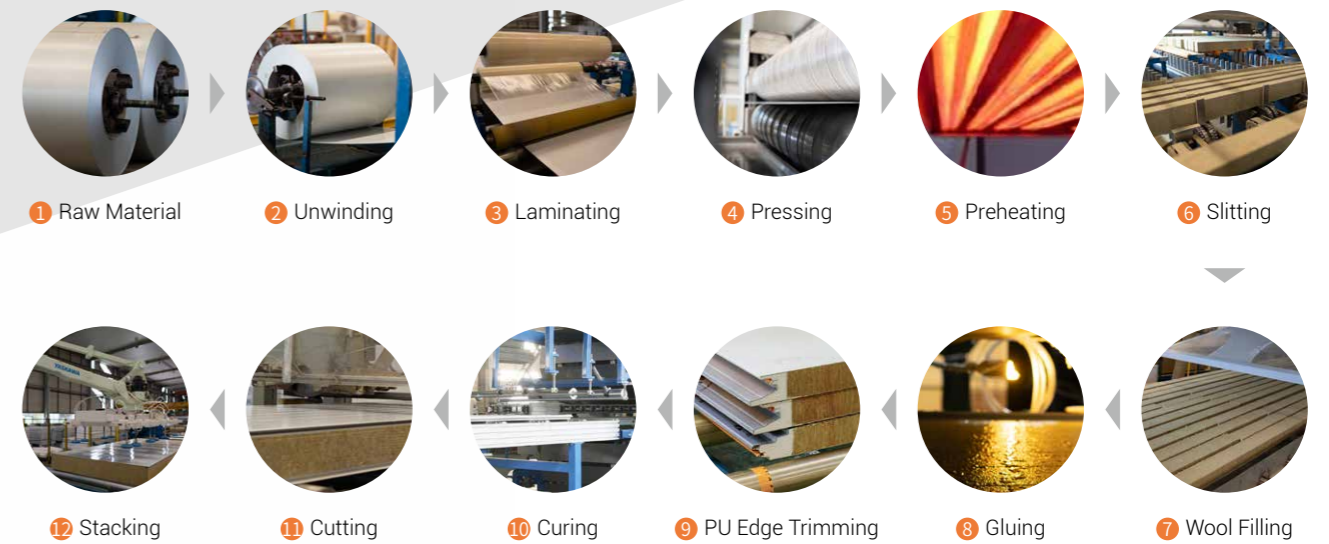
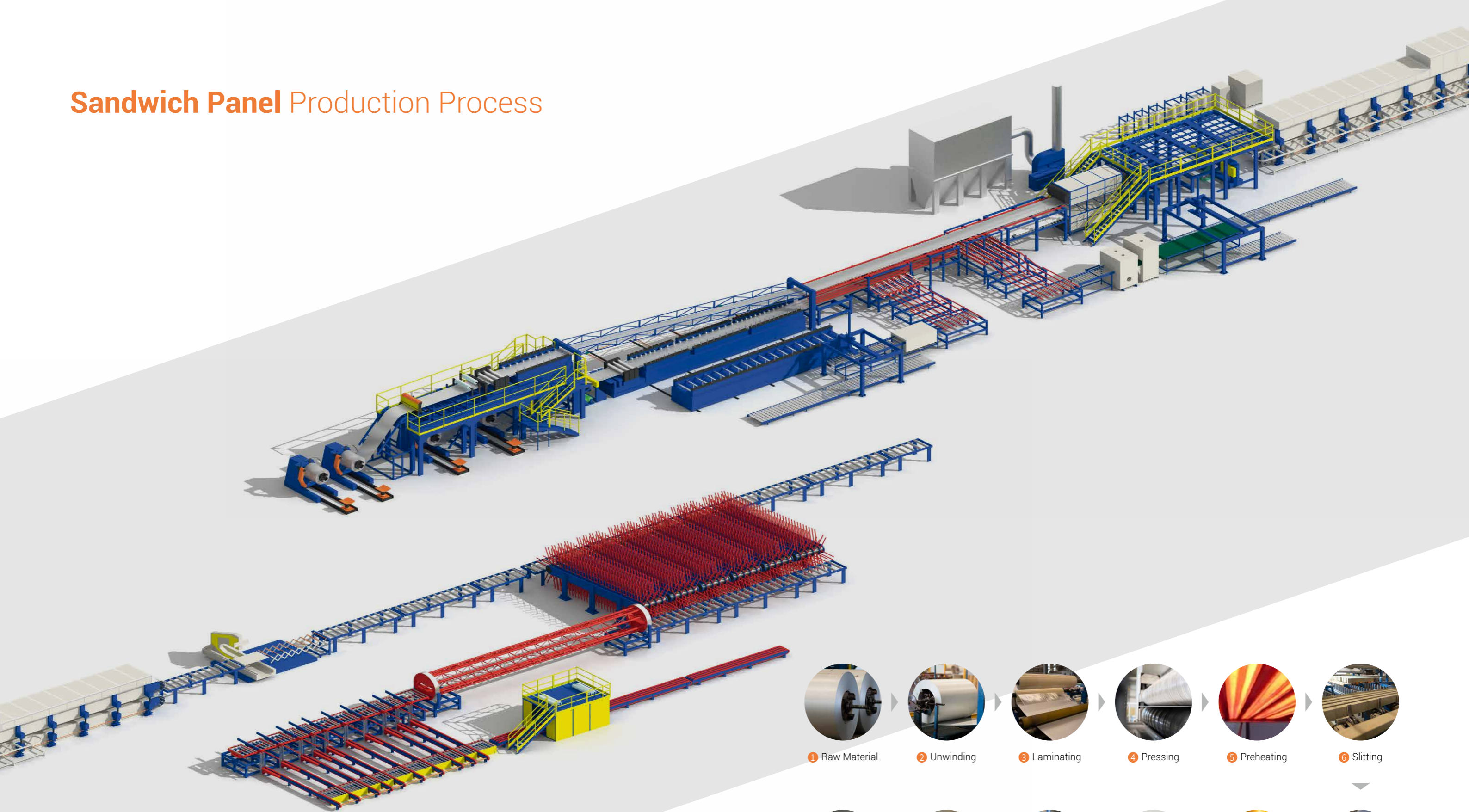
### PIR / PUR

Wiskind selects the new generation of pentane-blown B1 PU-PIR foam as the rigid core material, which possesses an excellent thermal insulation and fire resistance performance. It boasts ultra-high temperature stability and fire protection rating, while is energy saving and eco-friendly with zero Freon emissions, thus able to be widely used in industrial buildings and cold storage projects.





# Sandwich Panel Production Process

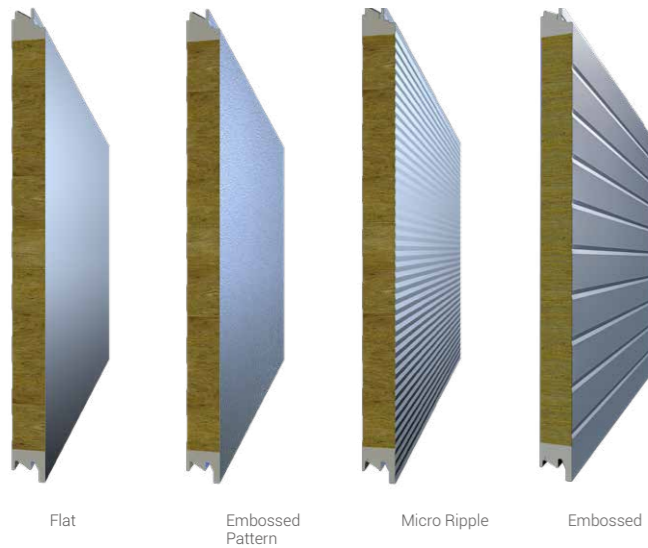




# Sandwich Façade Systems

Functional, and More Aesthetic

## COLORPOD® Sandwich Panel



### Product Parameters

<b>Steel Outer Layer</b>	Common T (mm)	Outer Panel Specs 0.5-0.8 (coated steel panel) Inner Panel Specs 0.4-0.7 (coated steel panel)
	Common L (mm)	≤12,000
	Common W (mm)	500-1,100
	Coating	PVDF / SRP / HDP / PE
<b>Insulation Core</b>	Core Material	High-quality thermal insulation,
	VW (kg/m³)	≥ 100 PU (Edge Sealing): ≥ 38
	Thickness (mm)	50-150
	U Value (w/m-k)	≤ 0.043
	Fire Rating	Class A
<b>Process</b>	Joint	2-sided joint-Male-Female Joint, PU Edge Sealing
	Production Process	Continuous Production Process
	Surface Texture	Flat / Embossed Pattern/ Micro Ripple
<b>Center Trim Treatment</b>	Metal Snap-in Cover Plate	

COLORPOD® is a core panel with double-sided tongue and groove joints and polyurethane edge sealing. Connected by the new generation of interlocking double support structure, the tongue and groove joints are more tightly fitted, enhancing the water and air tightness as well as wind resistance. It combines various surface effects for a variety of combinations, while also possessing functionality, aesthetics, and economy.



### Product Features

**COLORPOD® SD Sandwich Panels are the best choice for horizontal wall cladding.**

- Water and air tightness: The new generation of interlocking double support structure ensures high precision and tightness of the tongue and groove joints, providing better air and water tightness performance.
- Wind resistance: The application of triangular truss support enhances the mechanical performance of the joints by 70%, offering better resistance to wind.
- High strength: The new generation of Wiskind 3D spacers increases the bearing capacity of the steel plate at the screw locations, further enhancing the strength of the support.
- Waterproofing: The cavity waterproof construction prevents capillary seepage.
- Multi-functional: Polyurethane edge sealing improves the strength of the joints and comprehensively upgrades waterproofing and insulation.



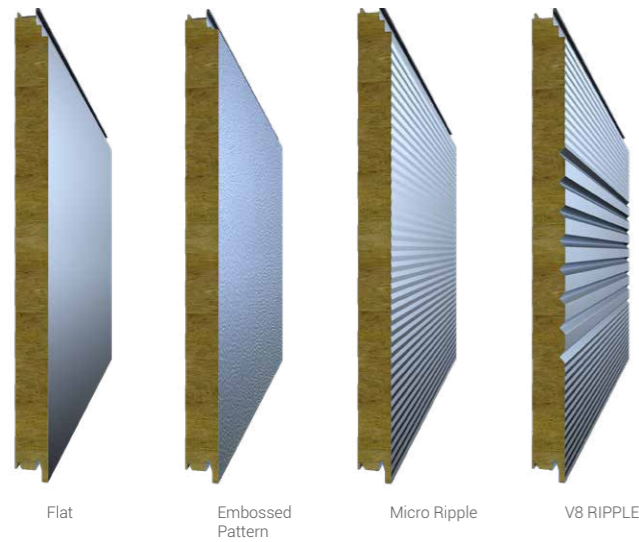
**SE Sandwich Panels are the best choice for vertical installation or purlinless system. The combination of V8 corrugations with SE joints is the optimal pairing.**





# COLORGOLD® Sandwich Panel

COLORGOLD® is a full rock wool core sandwich panel with double-sided tongue and groove joints. The full rock wool core material provides excellent fire resistance, meeting stringent fire protection requirements, and better ensuring the safety of life and property. The double support structure significantly enhances wind resistance.



## Product Parameters

<b>Steel Outer Layer</b>	Common T (mm)	Outer Panel Specs 0.5-0.8(Coated Steel Panel) Inner Panel Specs 0.4-0.7(Coated Steel Panel)
	Common W (mm)	500-1,200
	Coating	PVDF / SRP / HDP / PE
<b>Insulation Core</b>	Core Material	High-quality thermal insulation, fireproof and water-repellent rock wool Glass Wool
	VW (kg/m³)	≥ 100
	Thickness (mm)	50-200
	U Value (w/m-k)	≤ 0.043
	Fire Rating	CLASS A
<b>Process</b>	Joint	2-sided joint-Male-Female Joint
	Production Process	Continuous Production Process
	Surface Texture	Flat / Embossed Pattern / Micro Ripple / V8 Ripple
<b>Center Trim Treatment</b>	Metal Snap-in Cover Plate	

## Product Features

- **Fire resistance:** The full rock wool core material provides excellent fire protection capabilities.
- **Wind resistance:** The double support structure increases the contact surface, significantly enhancing wind resistance.
- **High strength:** 3D spacers reinforce the support, ensuring the strength and flatness of the joints.
- **Air and water tightness:** Slow rebound foam adhesive strips improve the air and water tightness of the joints.
- **Insulation:** The interlocking rock wool contact surface design ensures continuous insulation and thermal insulation.



Lower Joint



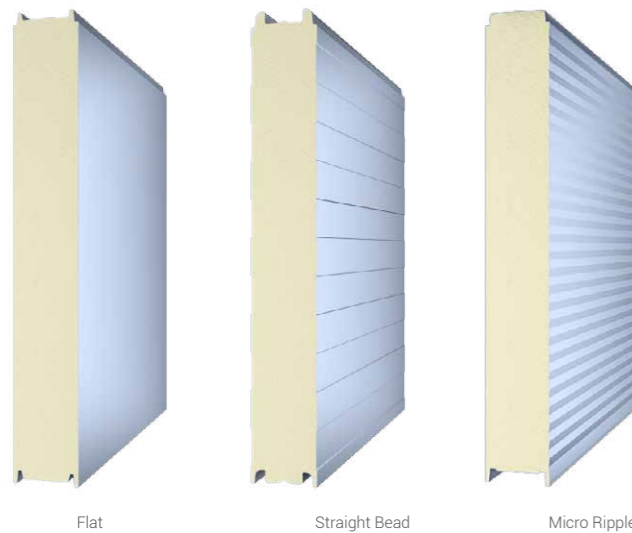
Upper Joint





# COLORSPAR® Sandwich Panel

COLORSPAR® is a full polyurethane core sandwich panel with double-sided tongue and groove joints. With the new generation of polyurethane PIR pentane B1 foam as the hard core material, it offers excellent thermal insulation performance, guaranteed fire resistance, no Freon emissions, energy-saving and environmentally friendly, with ultra-high temperature stability, and can be widely used in industrial construction and cold storage projects.



## Product Parameters

<b>Steel Outer Layer</b>	Common T (mm)	Specs 0.5-0.8 (Coated Steel Panel) Specs 0.46-0.7 (Stainless Steel)
	Common L (mm)	≤15,000
	Common W (mm)	920-1,120
	Coating	PVDF / HDP / PE
<b>Insulation Core</b>	Core Material	PU
	VW (kg/m <sup>3</sup> )	PU: 40±2
	Thickness (mm)	50-200
	U Value (w/m-k)	≤ 0.024
	Fire Rating	CLASS B1
<b>Process</b>	Joint	2-sided joint-Male-Female Joint
	Production Process	Continuous Production Process
	Surface Texture	Flat / Straight Bead/ Micro Ripple
<b>Center Trim Treatment</b>	PU Filling + Decorative Cover	



Qingdao AnYimei Food Co., Ltd.

## Product Features

- Fire resistance: The core material uses the new generation of polyurethane PIR pentane B1 foam as the rigid core, meeting the main fire protection standards globally.
- Thermal insulation: It has good thermal insulation performance, effectively reducing building energy consumption and costs, resulting in high economic benefits.
- High strength: The rational joint design offers superior mechanical properties, ensuring strength.
- Environmental protection: It has low volatile organic compound (VOC) emissions, making it environmentally friendly and sustainable.
- Energy saving: Its excellent thermal insulation reduces air circulation and solar radiation heat, thereby reducing carbon dioxide emissions and lowering the cost of building energy consumption.





## COLORGEM® Sandwich Panel

COLORGEM® is a curtain wall sandwich panel with four-sided tongue and groove joints. It has excellent flatness and enhanced visual effects, with aluminum foil edge sealing for excellent waterproof performance. Moreover, it offers a variety of core material combinations for different application scenarios, including full rock wool, full polyurethane, or rock wool core with polyurethane edge sealing.



Center Seam Sealing



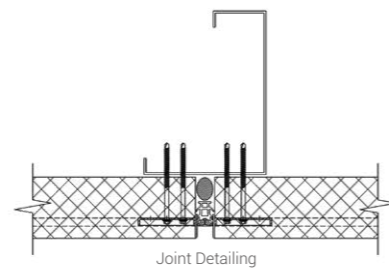
Colorgem® Details

### Product Parameters

<b>Steel Outer Layer</b>	Common T (mm)	Outer Panel Specs 0.6-0.8(Coated Steel Panel) Inner Panel Specs 0.5-0.7(Coated Steel Panel)
	Common L (mm)	≤ 12,000
	Common W (mm)	500-1,200
	Coating	PVDF / SRP / HDP / PE
<b>Insulation Core</b>	Core Material	High-quality thermal insulation, fireproof and water-repellent rock wool
	VW (kg/m³)	≥ 100
	Thickness (mm)	50-150
	U Value (w/m·k)	≤ 0.043
<b>Process</b>	Fire Rating	Class A
	Joint	4-sided Joint, PU Edge Sealing
	Production Process	Continuous Production Process
	Surface Texture	Flat / Embossed Pattern / Micro Ripple
<b>Center Trim Treatment</b>	Seal Strip or Sealant	

### Product Features

- New generation of interlaced dual-support joint for super strong wind resistance, air tightness, and zero thermal bridge conduction
- Continuous line for high-efficiency production
- Closed cavity to prevent water seepage, watertight & airtight
- Prefabricated foam, edge sealed with PVC + aluminum foil, more waterproof and economical.
- PU edge sealing to prevent the core material from strength reduction due to moisture absorption, and at the same time, the thermal conductivity is quite low, thereby a more durable insulation performance



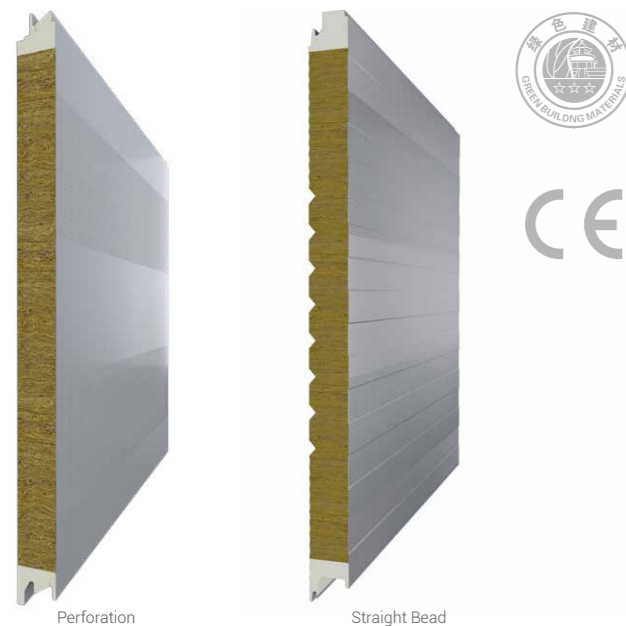
Joint Detailing





# ACOUS® sound insulation sandwich panel

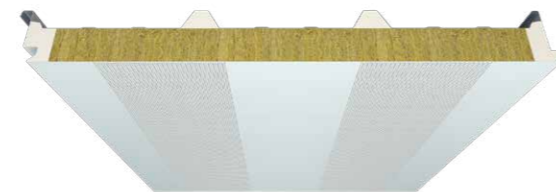
Wiskind uses professional-grade acoustic spectrum analysis instruments, based on the acoustic properties of materials, through precise acoustic measurement and thorough research on the human auditory system, to introduce the KeSheng Acous® sound insulation sandwich panel. When used solely for the walls of large and medium-sized factory buildings, it can achieve about 1/3 indoor noise reduction and a 100% increase in sound insulation. At the same time, it has good corrosion resistance and mechanical properties, making it the first choice for noise reduction in industrial buildings and protecting occupational health and safety.



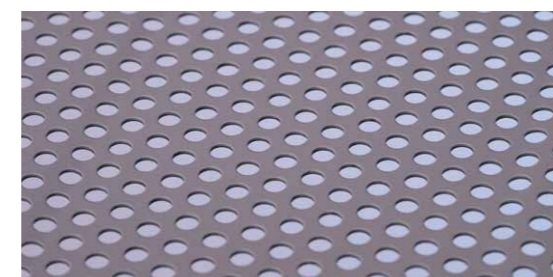
Jiangsu Nonwoven Fabric Processing Workshop

## Product Parameters

<b>Steel Outer Layer</b>	Common T (mm)	Outer Panel Specs 0.6-0.7(Coated Steel Panel) Inner Panel Specs 0.5-0.6(Coated Steel Panel)
	Common L (mm)	≤ 12,000
	Common W (mm)	1,000
	Coating	PVDF / SRP / HDP / PE
<b>Insulation Core</b>	Core Material	High-quality thermal insulation, fireproof and water-repellent rock wool Glass Wool
	VW (kg/m³)	100-120
	Thickness (mm)	50-100
	U Value (w/m-k)	≤ 0.043
	<b>Process</b>	Joint
	Production Process	Continuous Production Process
	Surface Texture	V8 Ripple
<b>Center Trim Treatment</b>		Seal Strip or Sealant



Interior Ceiling



Perforation

## Product Features

### Sound Absorption Performance

- Experiments have proven that when the test range is between 100-5000Hz, the average sound absorption coefficient of the KeSheng Acous sound insulation sandwich panel is 0.64, and the noise reduction coefficient NRC is 0.75.
- Outstanding sound absorption performance, after application, indoor noise is reduced by 1/3.
- The noise reduction coefficient NRC of ordinary metal panels is 0.15, which is below the grading range.
- The noise reduction coefficient NRC of KeSheng Acous® sound insulation sandwich panel is 0.75, belonging to grade II, far higher than the noise reduction coefficient of ordinary metal panels.
- The noise reduction performance is excellent, approaching the noise reduction coefficient NRC of slab rock wool, which is 0.85.

### Sound Insulation Performance

Experiments have proven that with the use of Acous® sound insulation sandwich panels, the transmission rate of high-frequency noise is less than one ten-thousandth. The sound insulation performance of KeSheng Acous® is increased by 100% compared to ordinary sandwich panels.

### Durability

The PE-coated perforated panel showed no signs of corrosion at the perforated positions after 480 hours of neutral salt spray, meeting the requirements for indoor use.



## Application Systems



### Purlin Wall Structure

The sandwich panel is connected to the purlin substructure by concealed fasteners at the joint. The wall system composed of the sandwich panel, together with the primary and secondary structures is referred to as a purlin system. The main materials of the purlin wall system: sandwich panels, purlins and lining panels.

### System Features

- The width of the sandwich panel is usually 1 meter, and its length is usually the same as the column spacing, up to about 10 meters.
- With the application of Wiskind Colorpod sandwich panel, the super strong wind resistance of its joint system allows the vertical purlins an interval of up to 4-5 meters.
- Improve wind resistance by reducing the purlin interval and increasing the number of fasteners.



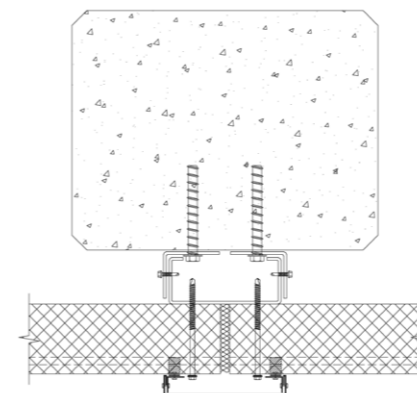
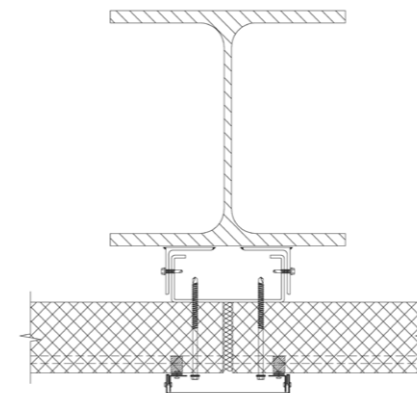
### Purlinless Wall Structure

The purlinless wall is a system created through the combination of prefabricated wall panels and structural columns. Generally, the sandwich panel is connected to the structural column at the end by fasteners that go through the panel surface. Each sandwich panel is a prefabricated wall unit, with a clear and reliable force transmission path.

### Diversified Solutions

Wiskind has developed a dedicated calculation program, combined with a comprehensive product database established through large-scale development and testing and an abundant standard details library, to offer well-targeted and optimal designs with diversified solutions.

The sandwich panel is able to adopt the two-sided or four-sided joint, and all rock wool or edge-sealed rock wool core, with optional single-span or dual-span system for application on exterior or interior partition walls.



### Product Strengths

#### High Economy & Adaptability

The purlinless system wall features a lower cost thanks to the integration of the building structure.

#### Outstanding Thermal Insulation

The purlinless system comes with fewer thermal bridges, so that its thermal insulation performance is better than that of the purlin system.

#### Fewer Material Consumption

When Wiskind StrucRock sandwich panel is used as the exterior wall of the purlinless system, there is no need for purlins and inner lining panels, thus lower resource consumption.

#### High Utilization

Although the StrucRock sandwich panels are usually slightly thicker than ordinary sandwich panels with the purlin system, the entire wall is thinner, so the utilization rate of the same building area is made higher.

#### Efficient Construction

Since there are no primary and secondary purlins and inner lining panels, plus the prefabricated structural design, the construction efficiency is greatly improved, and construction period and cost are reduced.





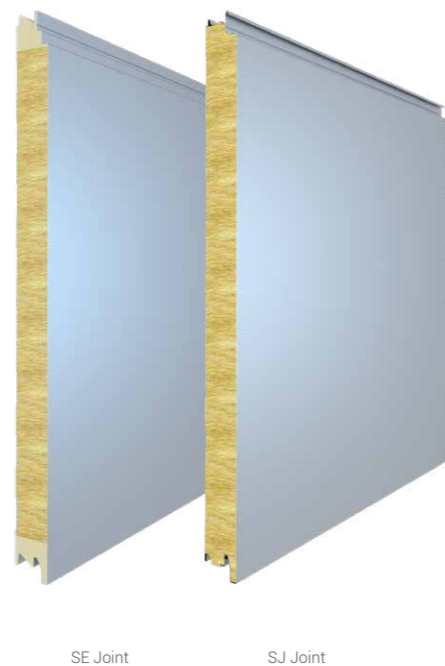


Wiskind Innovation Center

## StrucRock Sandwich Panel

As a prefabricated modular wall panel with better cost performance, less material consumption, greater mechanical properties, more excellent thermal insulation, and faster construction and installation, Wiskind StrucRock sandwich panels have come into existence. The panel, of which the surface layer is color-coated steel panel and the core material is the 95W StrucRock™, boasts outstanding mechanical properties, fire resistance and durability. As the main material of the purlinless wall system, the StrucRock sandwich panel goes perfectly with the system.

When the sandwich panel with the 100mm thick 95W StrucRock as the core is used as a purlinless exterior wall, its application span/ column spacing can reach up to 7-8 meters.



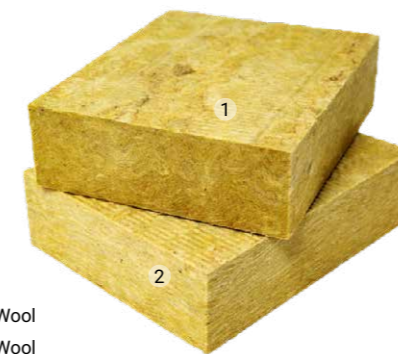
SE Joint

SJ Joint

## 95W StrucRock™

The 95W StrucRock™ is a rock wool core jointly developed by Wiskind and ROCKWOOL, especially for purlinless sandwich panels.

Based on a unique formula, rock wool fiber is produced through a special process. It is a product specially developed for high-quality sandwich panels, of which the uniform and dense three-way fiber distribution gives each section a consistent direction. Compared with ordinary rock wool, StrucRock boasts a higher strength than the ordinary rock wool of the same volumetric weight.

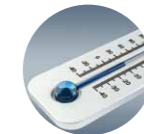


1. 3-way Fiber Rock Wool
2. 2-way Fiber Rock Wool



### High Strength

Offer nearly twice the mechanical index of ordinary rock wool, and some indexes are more than three times the international ones, so the mechanical properties are significantly improved.



### Thermal Insulation

The high-quality StrucRock features outstanding dimensional stability, not easy to shrink and deform, thus contributing to the long-lasting and stable thermal insulation performance.



### Fire Resistant

The non-combustible StrucRock, combined with scientific joint design, contributes to the creation of a panel that withstands fire for up to 4 hours, while blocking the spread of heat and flame.



### Durable

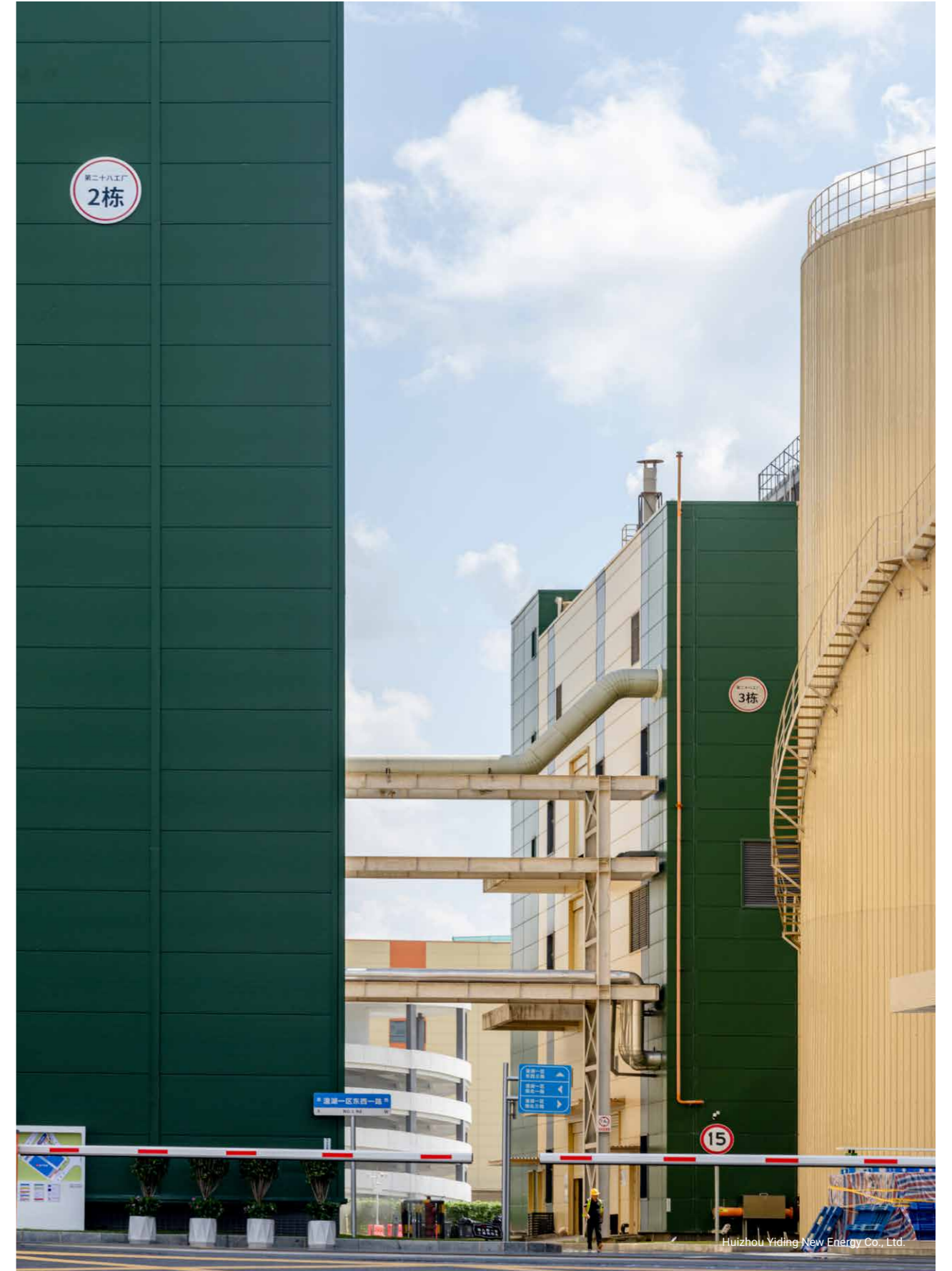
Passed the highest ESSC/CIB durability tests, laying the foundation for the overall durability of the building.



### Sound Proof

The unique fiber structure is tighter than traditional thermal insulation materials, so able to effectively reduce airflow and sound transmission by building an effective barrier, thus creating a quieter work space.







# Sandwich Curtain Wall Systems

Beyond Flatness, Visual Pleasure

## COLORCURTAIN®

### Sandwich Façade Panel

COLORCURTAIN® is a high-quality insulation and decorative sandwich panel with exquisite craftsmanship. It can be customized according to customer needs, with self-developed right-angle and curved integrated corner panels, enhancing the overall aesthetics of the building. The surface material can be equipped with high-quality roll-coated aluminum panels for better corrosion resistance and extending the overall service life of the building.

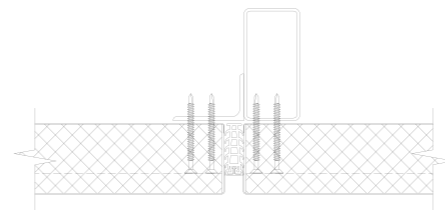


### Product Parameters

<b>Steel Outer Layer</b>	Common T (mm)	Outer Panel Specs 1.0(Aluminum Panel) Inner Panel Specs 0.4-0.6(Coated Steel Panel)
	Common L (mm)	100-4,000
	Common W (mm)	300-1,000
	Coating	PVDF
<b>Insulation Core</b>	Core Material	High-density thermal insulation, fireproof and water-repellent rock wool
	VW (kg/m <sup>3</sup> )	≥ 100
	Thickness (mm)	50-100
	U Value (w/m·k)	≤ 0.043
	Fire Rating	Class A
<b>Process</b>	Joint	4-sided Joint
	Joint Seam Outlook Width	20mm
	Production Process	Discontinuous Production Process
<b>Center Trim Treatment</b>	Seal Strip or Sealant	

### Product Features

- A metal thermal insulation curtain wall panel integrating fire protection, heat preservation and decoration
- Factory prefabrication and modular installation to minimize onsite workload
- The unique plugin method, while ensuring great waterproof performance, realizes rapid replacement of individual panels
- Excellent processing performance, the realization of flexible special-shaped plate customization, to deal with a variety of creative design
- Environmentally recyclable





# CASSETTE™

## Broken Bridge Sandwich Panel



**Cassette™**  
Thermal bridge break insulated curtain wall panel



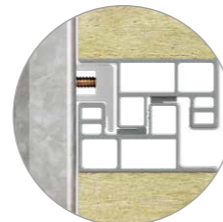
**Cassette™ Plus**  
Seamless rounded corners, Thermal bridge break insulated curtain wall panel



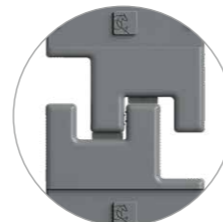
**Cassette™ Pro**  
Four-way interlocking, Seamless rounded corners, Thermal bridge break insulated curtain wall panel

### Product Parameters

<b>Common dimensions</b>	Common L (mm)	400-8000
	Common W (mm)	240-1500
<b>Insulation Core</b>	Common T (mm)	Outer Panel Specs 0.7-0.8(Coated Steel Panel)
		Inner Panel Specs 0.5-0.6(Coated Steel Panel)
		Outer Panel Specs 0.9-1.0(Aluminum Panel)
		Inner Panel Specs 0.6-0.7(Aluminum Panel)
<b>Coating</b>		PVDF / SRP / HDP
<b>Process</b>	Core Material	High-quality thermal insulation, fireproof and water-repellent rock wool
		Glass Wool
	VW (kg/m³)	≥ 100
	Thickness (mm)	60/80/100
	U Value (w/m-k)	≤ 0.043



Joint



Joint

## CASSETTE™

CASSETTE™ is a four-tongue thermal bridge break insulated curtain wall panel. It uses a non-penetrating fixing structure, which offers excellent insulation performance, and is fully prefabricated and assembled in the factory, suitable for various public buildings, high-end industrial buildings, etc.

### Product Features

#### High Fire Rating

- Non-penetrating cold bridge break, maintaining the integrity of the insulation layer.
- High-quality hydrophobic insulation cotton provides excellent thermal insulation performance.
- Non-penetrating installation form ensures the integrity of the insulation layer, with no cold bridge for better insulation.
- The sealed multi-chamber heat insulation structure cuts off the heat transfer path, locking in air and temperature.
- All components have a low thermal conductivity coefficient and are made of insulation materials.

#### Robust Waterproofing

- The cavity rain screen joint structure naturally provides waterproofing.
- Non-penetrating fixing method, better water and air tightness.
- Two layers of slow rebound waterproof foam sealing strips, excellent air and water tightness performance.

#### Fearless of Strong Winds

- Passed large-scale wind resistance experiments.
- Verified the wind resistance performance of the complete system.
- Obtained the design allowable wind load value.
- Compared with ordinary penetrating fixed sandwich panels, the connection points composed of F-type clips and Vikan® screws can withstand stronger wind loads.



窗洞节点



转角节点



Shandong Jiadian Food Production and Research and Development and Distribution Center



## CASSETTE™ PLUS

CASSETTE™ Plus is a seamless rounded corner thermal bridge break insulated metal facade panel, an excellent alternative solution to aluminum curtain walls, with a smart manufacturing process that avoids cutting and welding, thus preventing potential corrosion and water leakage risks.



### Product Parameters

<b>Common dimensions</b>	Common L (mm)	600-4,000
	Common W (mm)	240-1500
<b>Insulation Core</b>	Common T (mm)	Outer Panel Specs 0.7-0.8(Coated Steel Panel) Inner Panel Specs 0.5-0.6(Coated Steel Panel)
		Outer Panel Specs 0.9-1.0(Aluminum Panel) Inner Panel Specs 0.6-0.7(Aluminum Panel)
	Coating	PVDF / SRP / HDP
<b>Process</b>	Core Material	High-quality thermal insulation, fireproof and water-repellent rock wool Glass Wool
	VW (kg/m³)	≥ 100
	Thickness (mm)	60/80/100
	U Value (w/m·k)	≤ 0.043

### Product Features

#### Alternative Solution

- Wiskind new type of insulated decorative sandwich panel, an alternative solution to aluminum curtain walls.

#### Seamless Rounded Pre-Roll Coating

- Unique non-welded seamless rounded corners, enabling the seamless rounded corner application of pre-roll coated panels on decorative insulation boards.

#### Full Protection Against Corrosion and Waterproofing

- Smart manufacturing process without cutting and welding, avoiding potential corrosion and water leakage risks.

#### Precision Nodes with Extraordinary Texture

- Super flat appearance, seamless rounded corner details, achieving a fine texture and exquisite nodes at the decorative material level.

## CASSETTE™ PRO

CASSETTE™ Pro is a four-way interlocking seamless rounded corner thermal bridge break insulated curtain wall panel, with hidden sealant strips for dry sealing, good weather resistance, no silicone oil pollution, and a perfect replacement for aluminum curtain walls. At the same time, the four-way interlocking achieves staggered layout, breaking through design limitations.

### Product Features

#### Aesthetically Functional

- Wiskind new type of insulated decorative sandwich panel.

#### Perfect Solution

- A perfect alternative to aluminum curtain walls.

#### Innovative Staggered Arrangement

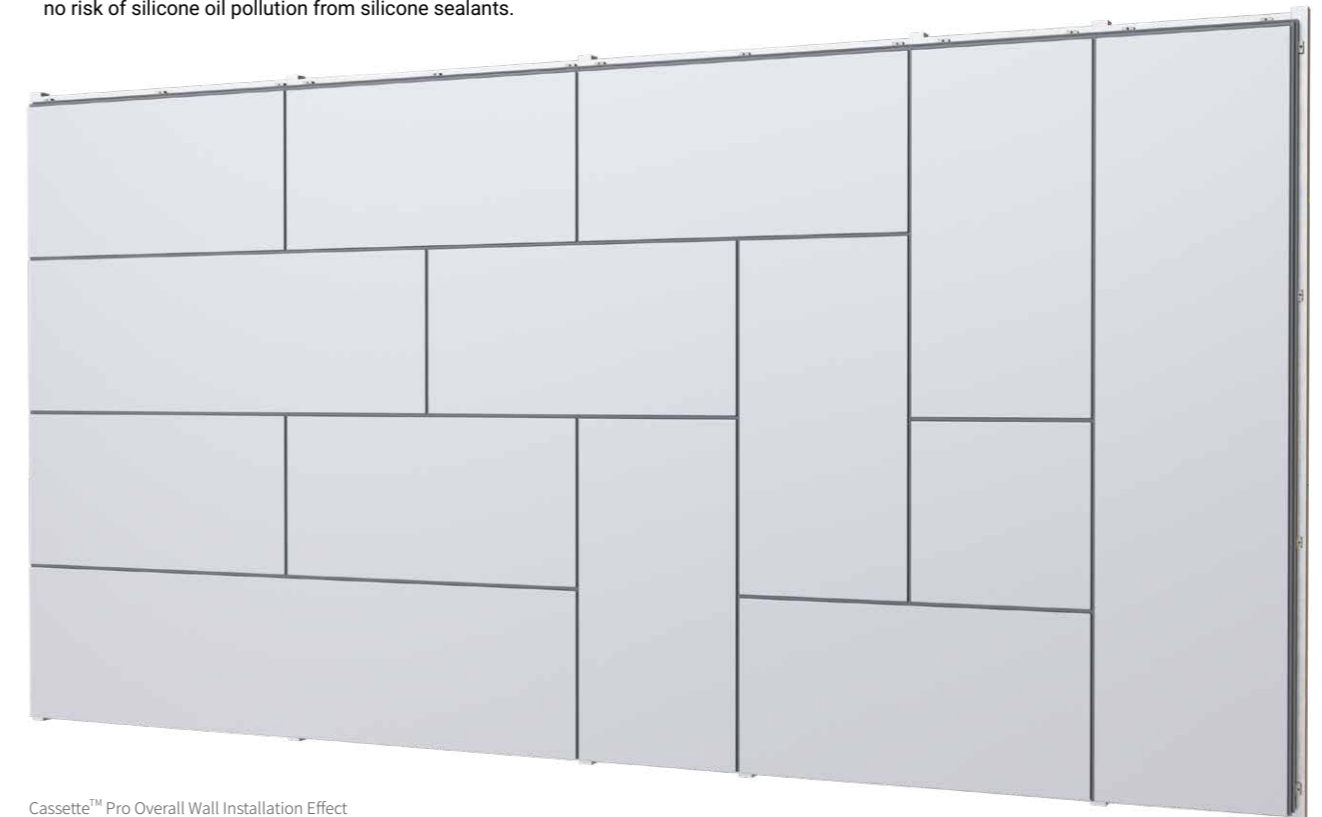
- The unique four-way interlocking brings a staggered arrangement, allowing for free design and creative liberation.

#### Excellent Corrosion Resistance and Lifespan Guarantee

- The four-way interlocking structure, combined with the unique non-welded seamless rounded corners, provides a recessed structure while avoiding cut corrosion, achieving seamless rounded corners for pre-roll coated panels on decorative insulation boards.

#### Good Weather Resistance and Excellent Aesthetics

- Hidden sealant strips for dry sealing, good weather resistance, and no risk of silicone oil pollution from silicone sealants.



Cassette™ Pro Overall Wall Installation Effect



# Brilliant Insulated Curtain Wall



Brilliant is a thermal bridge break aluminum insulated curtain wall sandwich panel. It has excellent overall insulation performance, reliable waterproofing, high panel flatness, and excellent visual effects, and can be perfectly matched with glass curtain walls for use in high-end building types.

## Product Features

- **Insulation:** The thermal bridge break aluminum profile combined with Class A high-density insulation fire-resistant hydrophobic rock wool maximizes the system's insulation and thermal insulation performance, reducing energy consumption.
- **Flatness:** The aluminum profile as the frame enhances the flatness of the panel surface.
- **Stability:** The panel frame and main structure are made of thermal bridge break aluminum profile, increasing the overall strength and stability of the system.
- **Replaceable:** The design of the profile groove on all four sides allows for the free replacement of individual panels, facilitating maintenance.
- **Convenience:** The non-tongue and groove joint design allows for simultaneous construction in any area without being affected by cross-working.

## Product Parameters

<b>Steel Outer Layer</b>	Common T (mm)	Outer Panel Specs 0.6-0.8(Coated Steel Panel) Inner Panel Specs 0.5(Coated Steel Panel)
	Common L (mm)	400-8,000
	Common W (mm)	400-1,180
	Coating	PVDF / SRP / HDP / PE
<b>Insulation Core</b>	Core Material	High-density thermal insulation, fireproof and water-repellent rock wool
	VW (kg/m <sup>3</sup> )	≥ 100
	Thickness (mm)	50 / 100
	TC (w/m-k)	≤ 0.043
	Fire Rating	Class A
<b>Process</b>	Profile	Broken Bridge Aluminum
	Production Process	Discontinuous Production Process
<b>Center Trim Treatment</b>		Sealant







Changshu Zhengli New Energy Industry Park



CNNC Qingdao Science and Technology Park



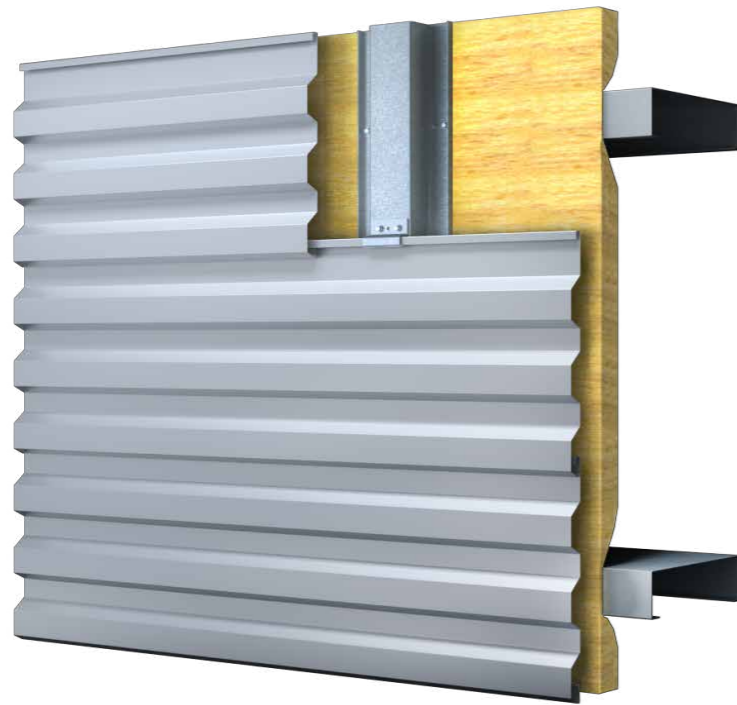
Fosun Pharmaceutical (Xuzhou) Industrial Park



# Single Panel Façade System

Diversified Design, Architectural Rhythm

## Hidden Fastener Systems

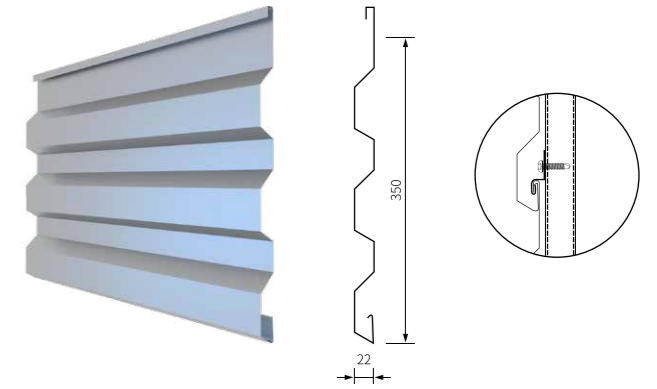


The concealed fastener single panel façade system is seamlessly connected through the hidden fastening structure, which not only satisfies the overall visual aesthetics of the building appearance, but also reduces the stretching or tearing of the fixed parts due to thermal expansion and contraction, while improving the structural performance and increasing the weatherability of the system. The special hidden buckle helps prevent rainwater leakage with supporting details and complete accessories.

The unique and diverse cross-sectional shapes form a very distinctive graceful curve. With the change of light and shadow, it finally shows a diversified shadow effect. At the same time, the combination of the single wall panels that which integrate aesthetics, waterproofness and wind resistance, is able to satisfy the diversified needs of the client.

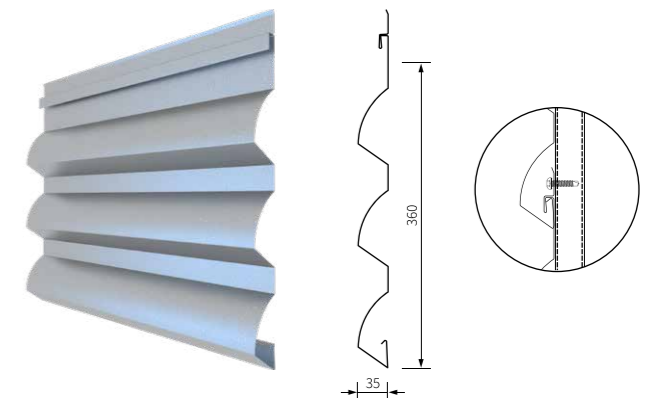
### M3

- The crisp asymmetrical trapezoidal design creates excellent lighting effects.
- By concealing the buckle and the wall panel connected with the purlin, it can be laid vertically or horizontally.
- Concealed plug-in structure, and visual effects characterized by seamless transition.
- A combination of strength and beauty, suitable for decorative wall panels required different building façade designs.
- Suitable for application with sandwich panels.
- The raw material is the aluminum-zinc coated steel panel, with a thickness of 0.53mm and a strength of 350MPa.



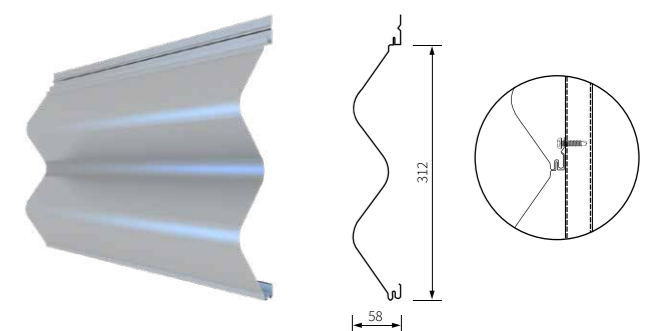
### K3

- The beautiful curves, in combination with the polyline and trough, create a remarkable contrasting effect between light and dark lines.
- The unique texture of the horizontally paved single panel, and the concealed plug-in structure, create a seamless transition visual effect.
- The texture of the horizontally paved wall is parallel to the eyes, which complies with ergonomics with visual comfort.
- Suitable for use with sandwich panels.
- The crisp and exquisite vertical seams are separated to make the building façade more impressive.
- Suitable for façades without external gutters, and parapets with flat tops.
- The raw material is the aluminum-zinc coated steel panel, with a thickness of 0.53mm and a strength of 300MPa.



### M2

- The elegant M-shaped curve combines smoothness and strength.
- For horizontal panels with hidden fasteners, self-cleaning coated steel panels are recommended.
- The male and female joint structure creates a smooth surface effect.
- The horizontally paved wall is parallel to the eyes, which complies with ergonomics with visual comfort.
- The crisp and exquisite vertical seams are separated to make the building façade more impressive.
- Suitable for large-area building facades without external gutters.
- The raw material is the aluminum-zinc coated steel panel, with a thickness of 0.53mm and a strength of 300/350MPa.





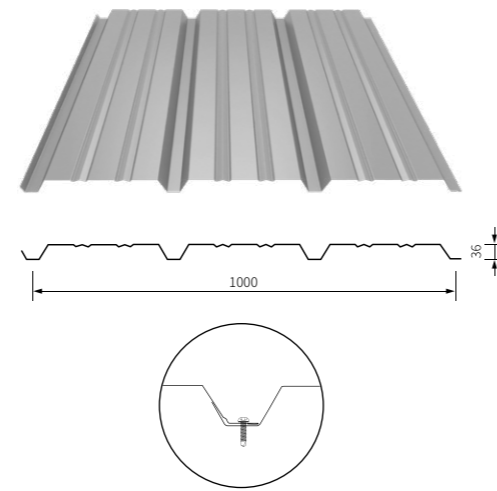
# Single Panel Systems



## VP3

The semi-concealed fasteners of the reversely installed and vertically paved single-layer panels penetrate the panel surface to directly connect with the substructure for great wind resistance.

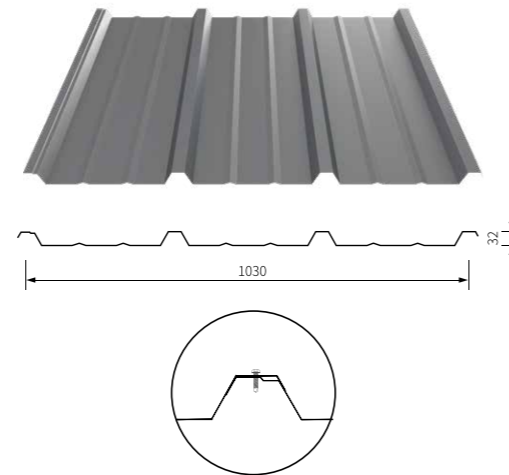
- The functional and economical anti-cold bridge structure reduces the compression of the insulation cotton at the purlin and boasts a better insulation performance.
- With a wave height is 35mm, the fastener is located in the shadow of the vertical rib groove. When the viewing angle is less than 40 degrees, the fastener is invisible
- The V-shaped light and dark lines give the wall a more powerful expression.
- The reflexed lap joint and the cavity waterproof structure provide excellent durability and rainproof performance.
- The raw material is the aluminum-zinc coated steel panel, with a thickness of 0.53mm and a strength of 300/350MPa.



## WP3

The lap joint between two ribs is provided with a cavity to block water seepage with a great rainproof performance, with a significant overall cost advantage.

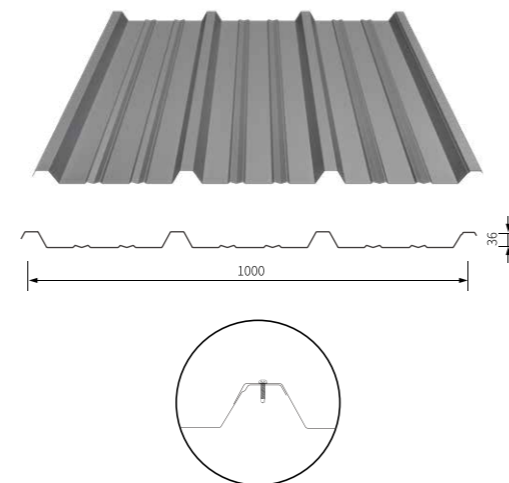
- The 32mm high ribs are matched with large waves of the same width, and the angle between the main rib and the wave trough is as large as 61 degrees, with crisp wall lines and an expressive façade, thus suitable for large-scale buildings.
- Pre-punched screw hole at the end.
- The raw material is the aluminum-zinc coated steel panel, with a thickness of 0.53-0.8mm and a strength of 300/350MPa.
- High-strength material of above 500MPa is available.



## MP3

The beautiful Sine curve produces extraordinary light and shadow effects

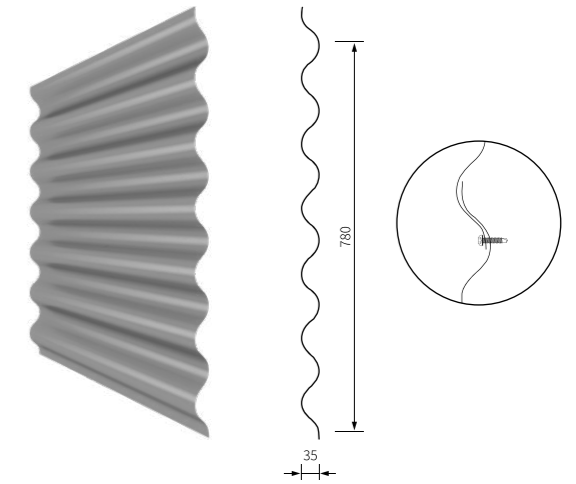
- The 32mm high ribs are matched with large waves of the same width, and the angle between the main rib and the wave trough is as large as 61 degrees, with crisp wall lines and an expressive façade, thus suitable for large-scale buildings.
- Pre-punched screw hole at the end.
- The raw material is the aluminum-zinc coated steel panel, with a thickness of 0.53-0.8mm and a strength of 300/350MPa.
- High-strength material of above 500MPa is available.
- Fast installation, economical and functional.



## 780S

The beautiful Sine curve produces extraordinary light and shadow effects

- The horizontally paved single panel comes with lines that are parallel to the visual line of both eyes, which complies with ergonomics with a sense of visual comfort.
- The horizontally paved economical panel comes with exposed screws and boasts great wind resistance.
- Lap joint at the trough to avoid obvious seams.
- The crisp and exquisite vertical seams are separated to make the building façade more impressive.
- Suitable for façades without external gutters, and parapets with flat tops.
- The raw material is the aluminum-zinc coated steel panel, with a thickness of 0.53mm and a strength of 300MPa.





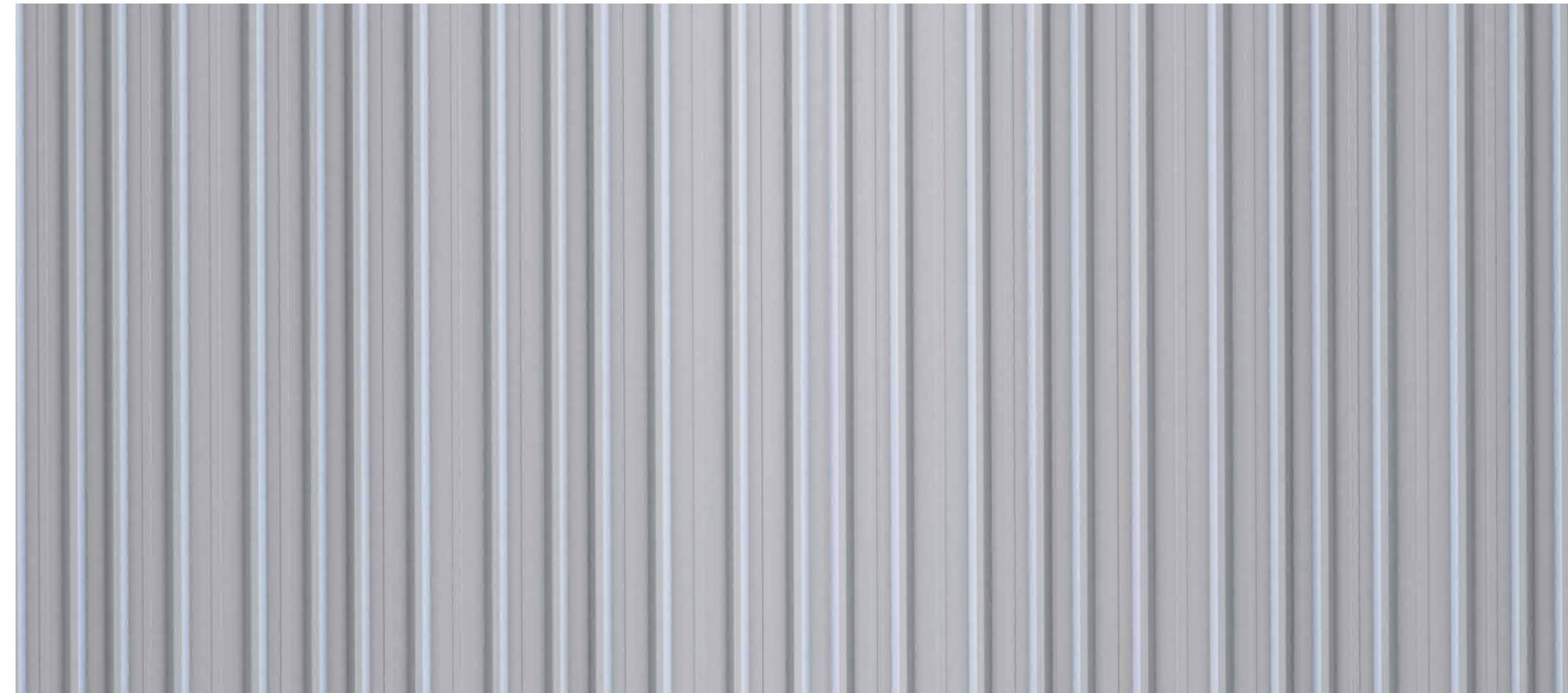
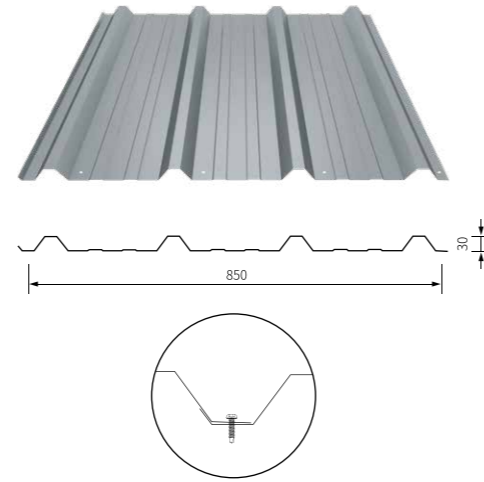
# Single Panel Systems



## M850

Unique M-shaped side lap joint structure, unique wall lines, and powerful façade expression, thus suitable for large-scale buildings, with a significant overall cost advantage..

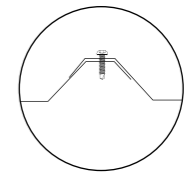
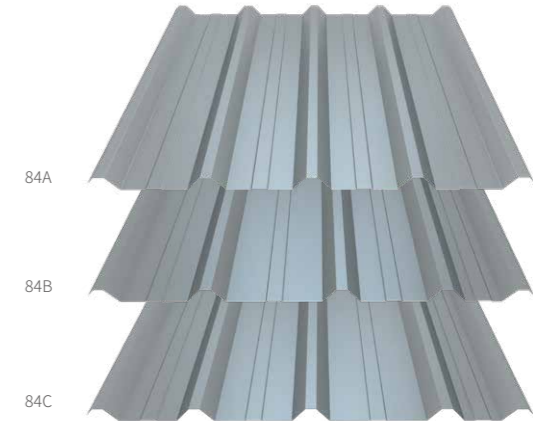
- Pre-punched screw hole at the end.
- The raw material is the aluminum-zinc coated steel panel, with a thickness of 0.53-0.8mm and a strength of 300/350MPa.
- High-strength material of above 500MPa is available.
- Fast installation, economical and functional.



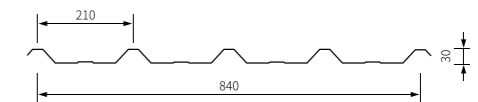
## 84 Series

At-will Combination, Unlimited Creativity.

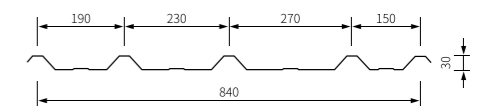
- The three panel types, i.e., 84A, 84B and 84C, offer different wavelength combinations, and are available with vertical pavement.
- The unique sense of rhythm produces rich visual effects with diversified shape combinations.
- The raw material is the aluminum-zinc coated steel panel, with a thickness of 0.53-0.8mm and a strength of 300/350MPa.
- High-strength material of above 500MPa is available.
- Fast installation, economical and functional.



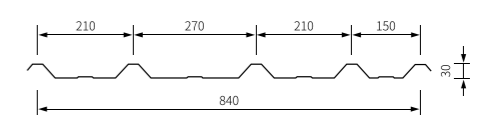
84A (Constant Wavelength)



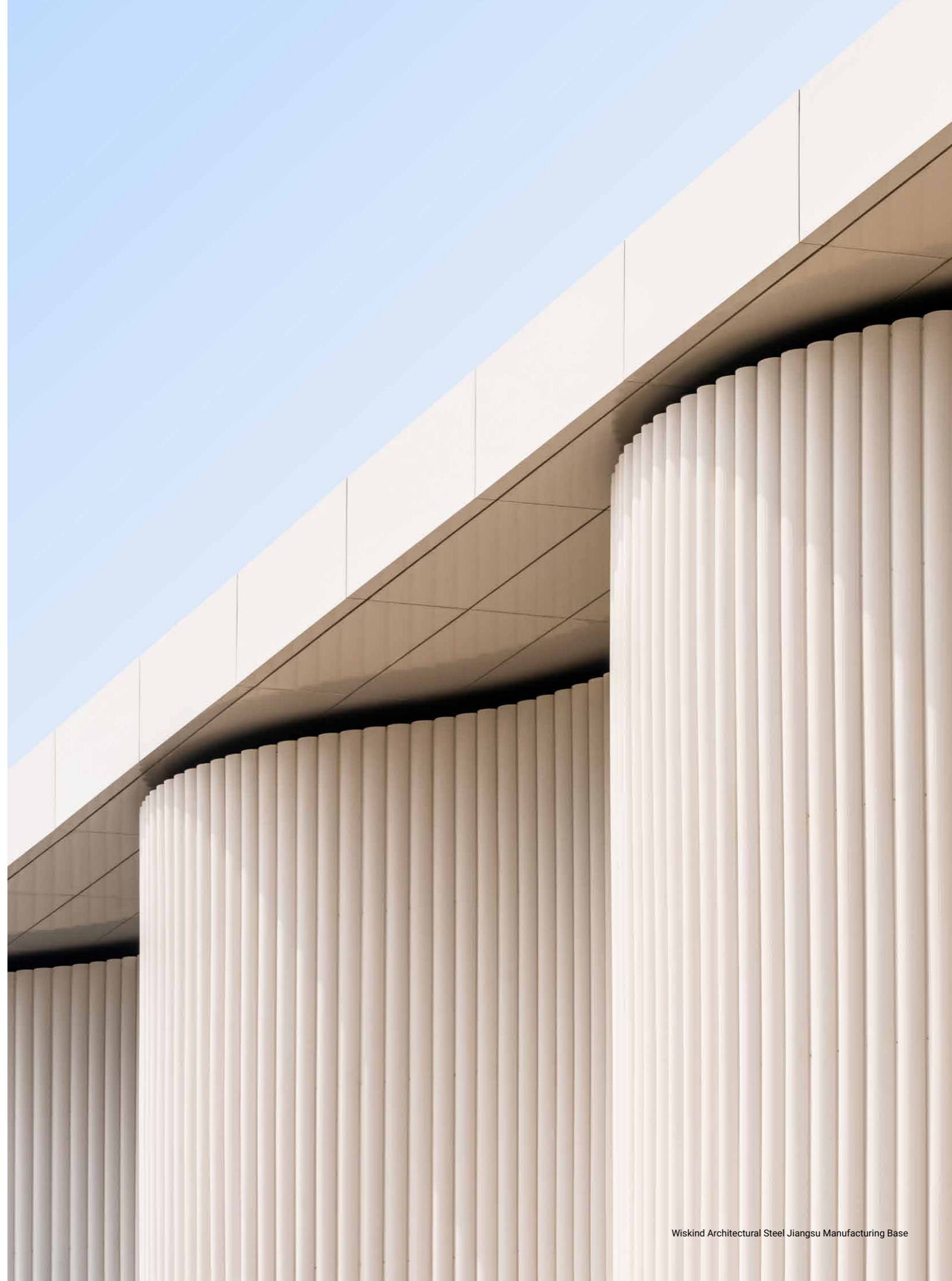
84B (4 Wavelengths)



84C (3 Wavelengths)









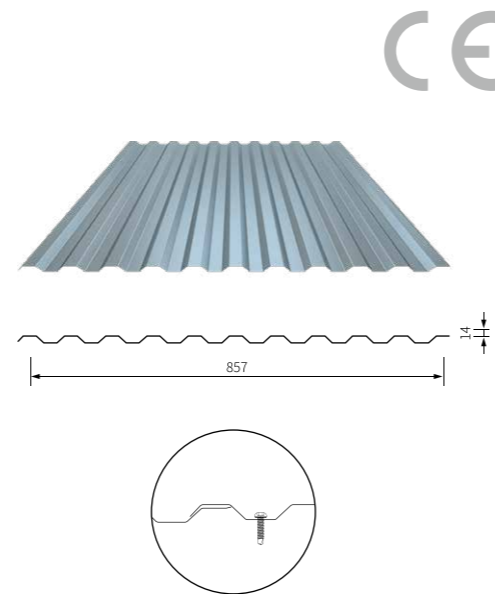
# Lining Panel Façade Systems

An Exquisite Pleasure for the Eyes

## W15

The symmetrical and rhythmic corrugations can be applied indoors in architecture, providing a flat and elegant visual appearance, and also increasing the span.

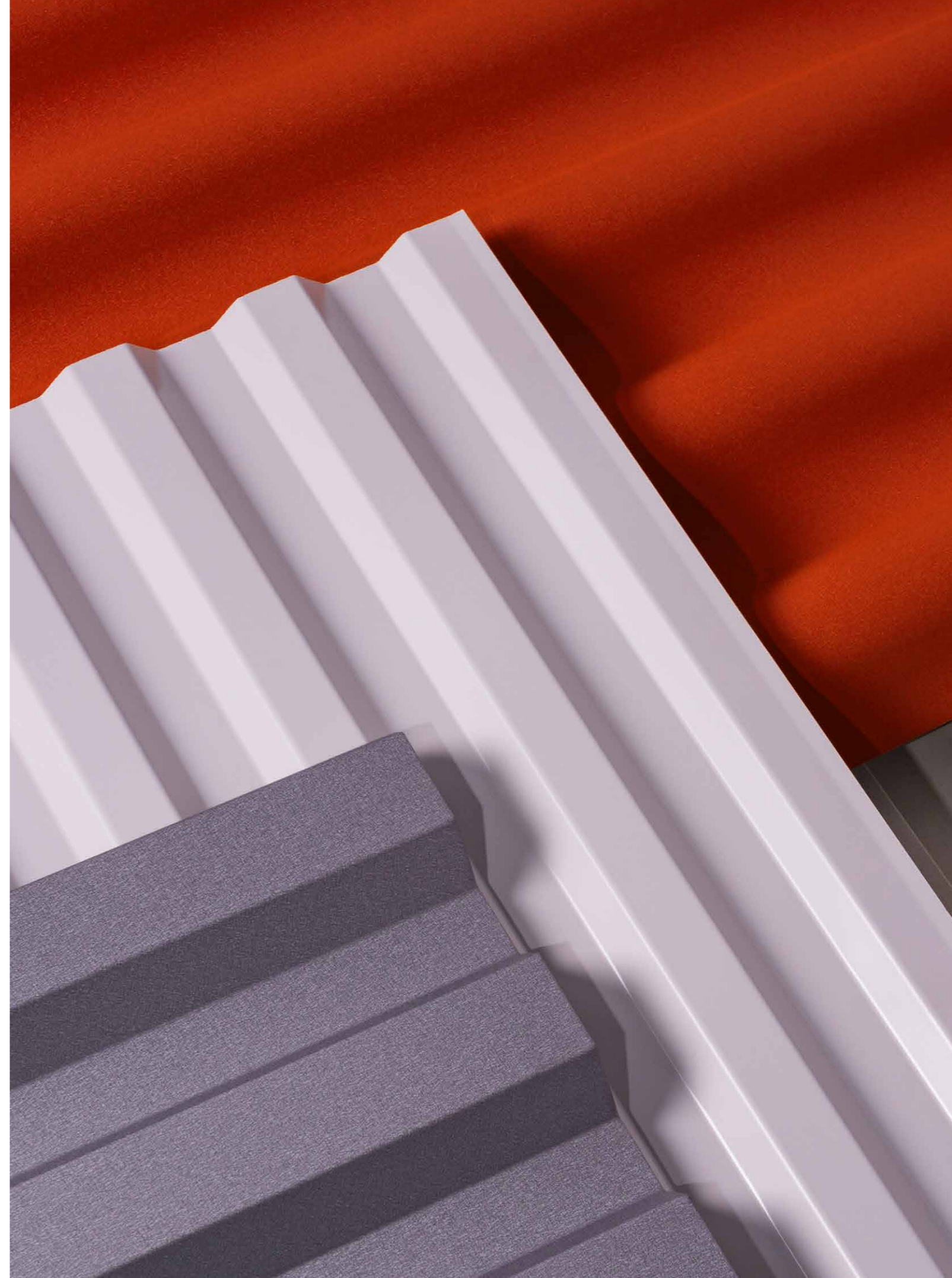
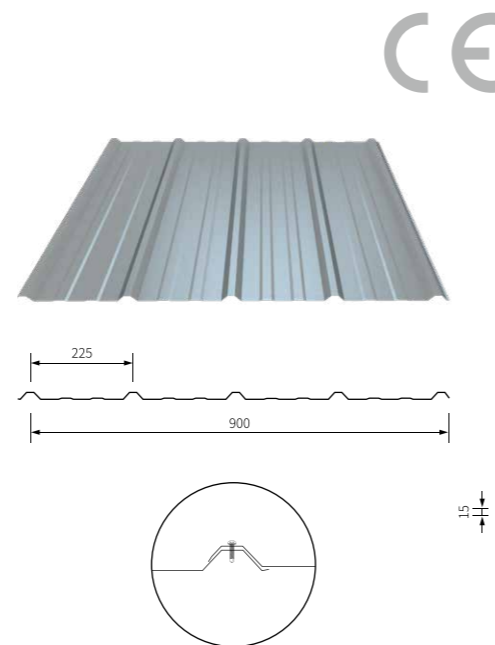
- The main purlin can be used as a roof bottom plate when exposed indoors, providing a convenient hanging performance.
- When used as roof bottom or wall lining, it is able to conceal thermal insulation materials and purlins to make building interior more beautiful.
- After being perforated, able to be used as a sound-absorbing panel to offer acoustical function.



## W900

The section is aesthetically pleasing and economical, and it is a universally used panel type in the market. It can be applied vertically, horizontally, or at an angle to the architectural lines, thus allowing designers the freedom for multidimensional creation. The lining board can be fixed directly and can be attached to the inner wall or suspended ceiling.

- Placed inside the main purlin as roof, wall lining, or large canopy lining.
- Conceal insulation materials and purlins to make the interior of the building more beautiful.
- With a relatively low wave height, it is generally not suitable for application in conjunction with insulation cotton. When it has to be used in combination with insulation cotton, the thickness of the cotton felt should not be greater than 50mm.
- Produced with color coated ordinary-strength steel panel with a thickness of 0.43mm.
- Able to be used as perforated acoustical panel.





# ROOFING SYSTEMS

Stand Fast Throughout Storms and Sparkle in the Sunlight

"Wiskind metal roof products are available in tremendous varieties and a complete range of specs. Roof panel materials include: coated steel panel, aluminum panel, stainless steel panel and sandwich composite panel, which are ideal materials for green buildings. The Wiskind metal roofing system features a light weight and a stable structure, in addition to the outstanding waterproof, wind-resistant, heat-insulating and acoustical performances. By virtue of its strong appearance adaptability, it is widely used in a diversity of sectors, including industry, public, transport and commercial buildings."

## Single Panel Roofing Systems

- Super wind resistance and ability to withstand various external loads
- Up to 540° lock seam to improve air-/watertightness
- Concealed sliding support to release thermal stress
- The unique male and female buckle members to eliminate water seepage
- The self-locking feature to improve construction safety and efficiency during installation
- The daylighting panel and the roof panel are mechanically engaged for superior windproof and waterproof performances

## Sandwich Roofing Systems

- A variety of panel types such as lap joint, lock seam and cap
- Various standard thicknesses are available, e.g., 50/75/100mm
- Rock wool, glass wool and PU core materials are optional





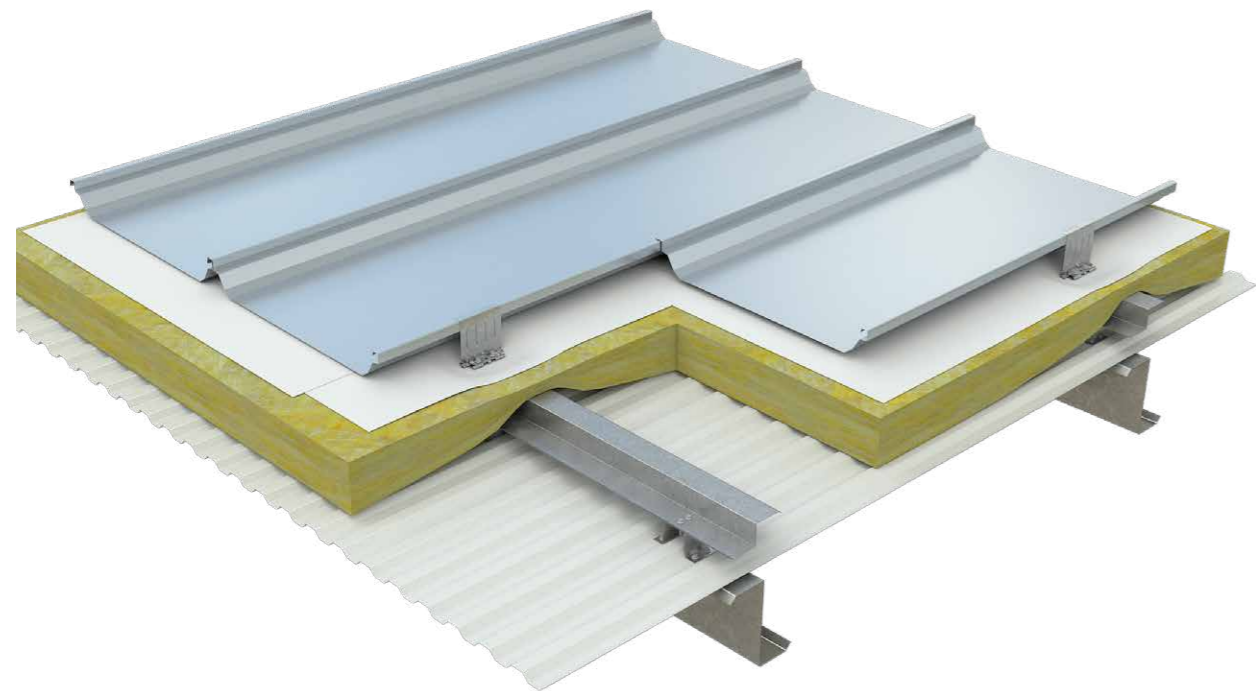
# Single Panel Roofing Systems

Big Ideas in the Ordinary

## SR6<sup>®</sup> Standing Seam Roofing System

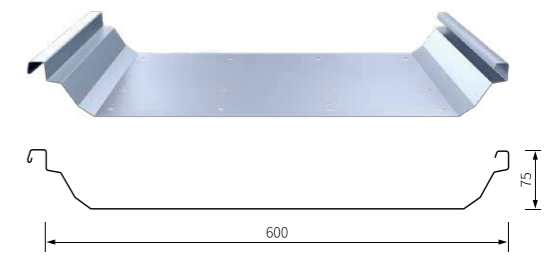
The SR6 standing seam roofing system is a prefabricated high-performance system developed by Wiskind. The metal roofing system makes installation as precise and fast as building blocks, provides all-round and long-lasting protection beyond 360 degrees, and features strong wind resistance and excellent waterproof performance.

After the roof panel is installed, the effective width is 600mm, and the peak height is 75mm, with the panel surface pre-punched.



## Modularized Pre-punching Technology

- The roof panel is pre-punched at the end and connected with the cornice and the roof ridge fittings through stainless steel bolts, and with the lighting panel via lap joints.
- According to installation location and orientation, the SR6 roof panel offers a variety of standardized pre-punching methods.
- The hole positions are precisely formed on the production line with high precision.
- Ensure that after installation, the width remains consistent with the designed dimensions, achieving a neat and uniform appearance.

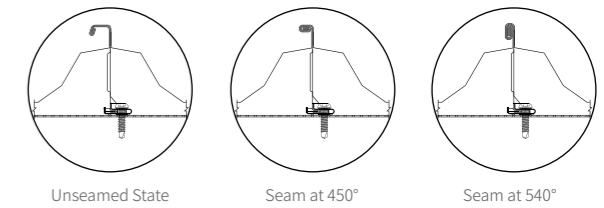


## Super Wind Resistant

Obtained the US FM certification, passed the ASTM test for watertightness and airtightness, the CBMTC test for static wind resistance, and the dynamic wind load test by the national standards of China

Obtained certification and passed tests by domestic and foreign authorities:

- American Standard: ASTM E1646 & E1680 tests for Watertightness and Airtightness 1-75, 1-105, 1-135, 1-195 levels by American FM certification test
- CBMTC (Suzhou) test for static wind resistance
- Dynamic wind load test by national standard (5,000 fluctuating wind pressure)



- High-performance sliding support to provide great curl gripping force.
- The slider of the support is made of galvanized anticorrosive material, while the base is galvanized with preset screw holes
- 540° lock seam to provide protection against wind.
- According to the test, to deal with the level of FM-105 without anti-wind clamp, only 0.6mm thick steel panel is needed, so its wind resistance is one of the best.

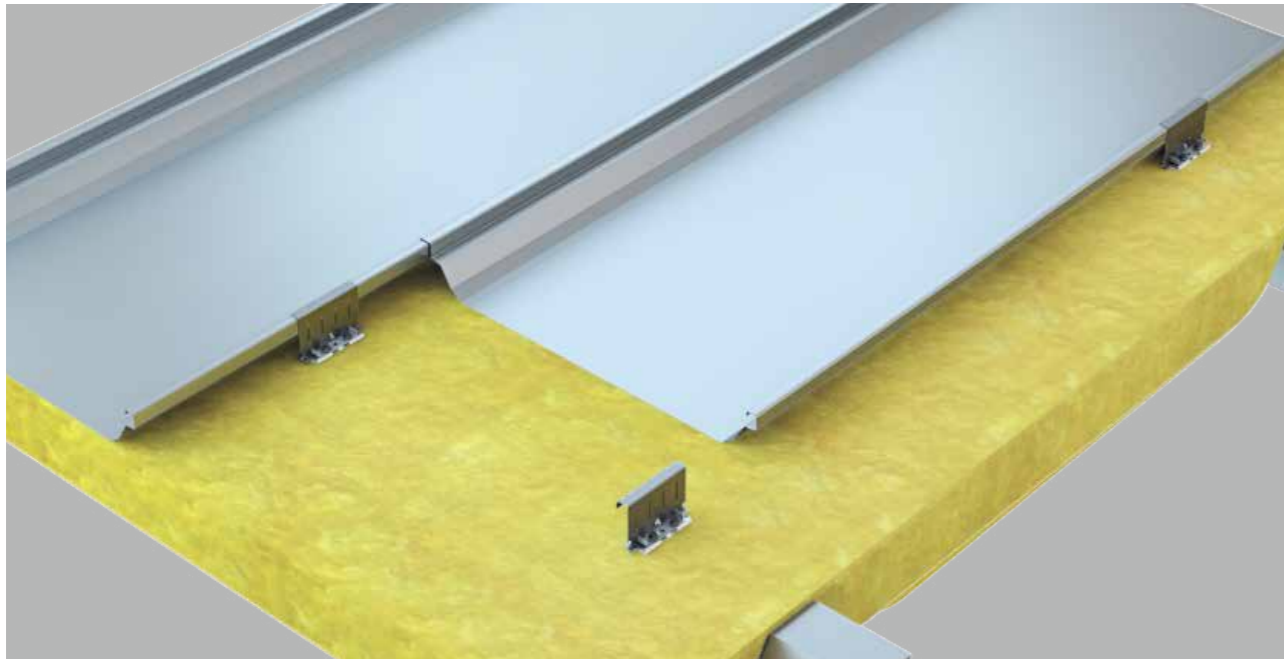


High-Performance Sliding



Yancheng Husu Dafeng Industrial Park





single roof

## Product Features

### Reliable and Waterproof

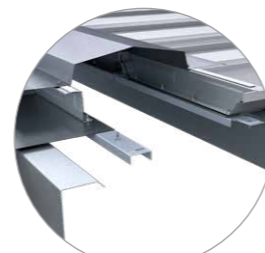
- Wave height of 75mm to better meet the waterproof requirements of longer single slopes and severe cold areas.
- The 540° lock seam is able to provide great waterproof protection for super-long single-slope roofs or areas with a constant freeze-thaw cycle.
- The roof panels are pre-injected with sealant according to project requirements to enhance the air-tightness and water-tightness of the roofing system, so that it is able to resist water seepage caused by freezing and thawing of snow.
- The 100-meter long single-slope roof comes with no lap joint, thus eliminating the hidden danger of water leakage at the joints.
- The thermal stress is released through the sliding of the support and the deformation of the roof ridge cover, with a reliable and durable wind resistance and waterproof performance.

### Efficient Construction

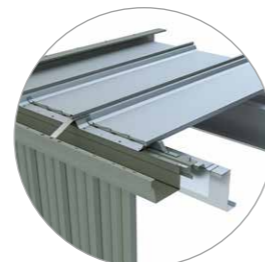
- The SR6 pre-punched roofing system is connected through stainless steel bolts, which is fast and efficient.
- After the roof panel is installed, the various errors are controlled within  $\pm 0.5\text{mm}$  for accurate localization.
  - The system is accurate, efficient, and convenient for installation. It is a perfect and proven total solution designed to meet unique architectural design concepts and applications.

The steel panel is characterized by thermal expansion and contraction. The standing seam roofing system releases the internal stress caused by thermal expansion and contraction through the sliding structure, so as to avoid the damage of the joint structure caused by the long-term reciprocating stress.

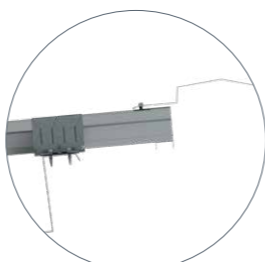
The cornice is fixed, while the roof panel thermally expands and contracts with respect to the cornice, by which the thermal stress caused is released through the sliding of the support and the deformation of the roof ridge cover, thus ensuring the reliable and durable wind resistance and waterproof performance.



Ridge Details



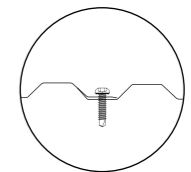
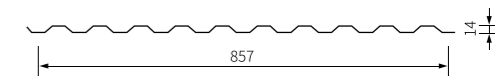
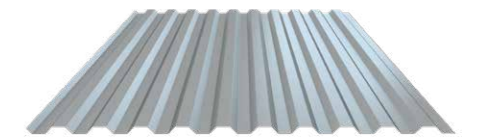
Roof Gutter Details



Connect Joint

## W15 Roof Bottom Plate

The base panel is specifically designed to match the roofing system and is a dedicated bottom plate for double-layer roofing. It is placed on top of the roof purlins and is modularly compatible with the system.



## Product Performance

### Strong Bearing Capacity

- With 550MPa high-strength color-coated steel panel as material, its excellent mechanical properties provide excellent bearing capacity and anti-stepping performance, so very safe and reliable during construction.

### Economy

- The recommended bottom plate for double-layer metal roofs. The thickness of 0.43mm is able to meet the application requirements of a project and improve construction efficiency.

### Multifunctionality

- The main purlin can be used as a roof bottom plate when exposed indoors, providing a convenient hanging performance.
- When used as roof bottom or wall lining, it is able to conceal thermal insulation materials and purlins to make building interior more beautiful.
- After being perforated, able to be used as a sound-absorbing panel to offer acoustical function.



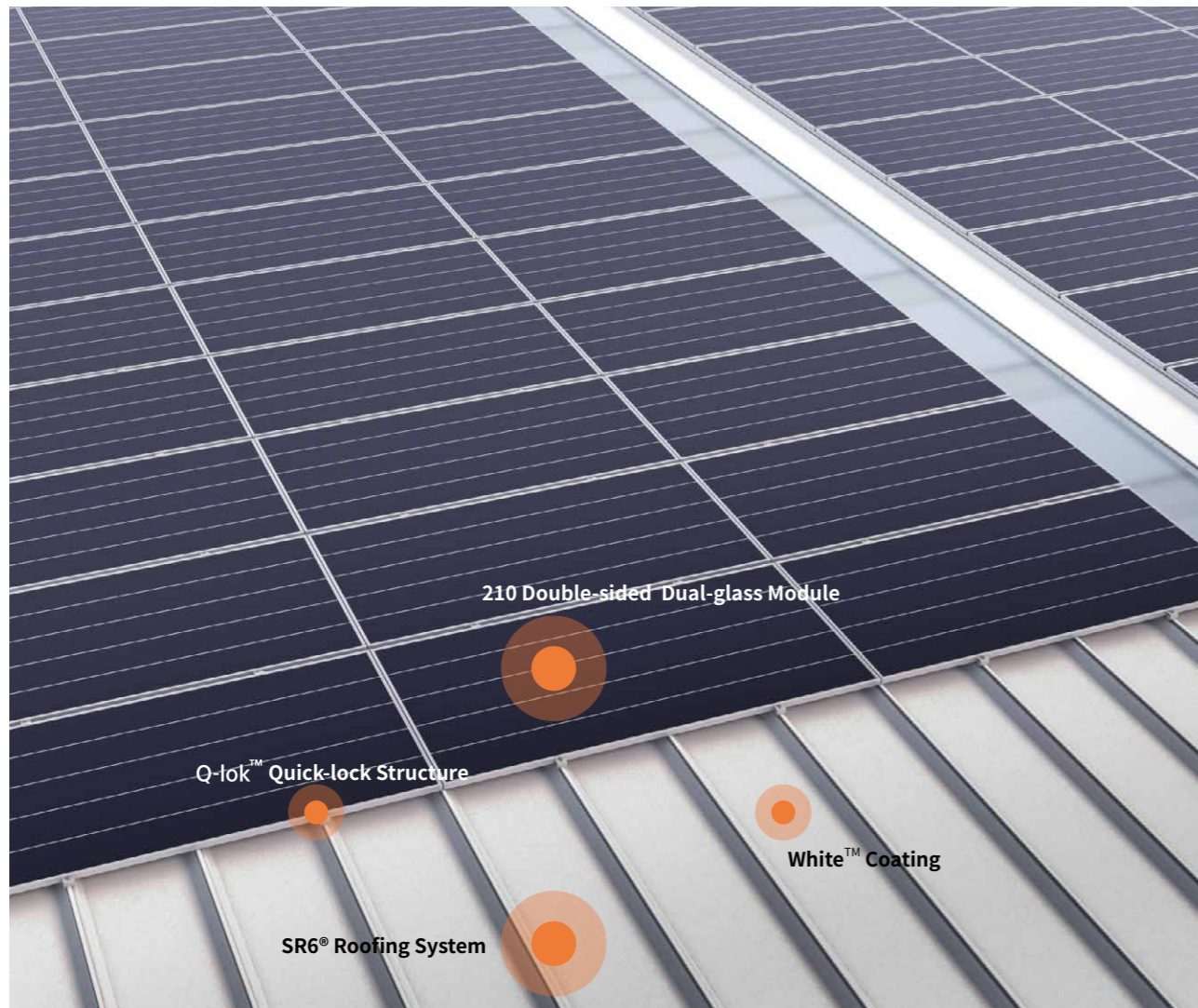
Aremore Precision Equipment (Zhenjiang) Co., Ltd.



# PV-Roof Integrated Solution



PV-Roof Integrated Solution utilizes the leading SR6® roofing system and 210 large-size components, with the ingenious Q-lok trackless quick-lock technology, fully unleashing the power generation capability of double-sided dual-glass cells through the Photovoltaic White™ light energy coating, achieving a synergistic enhancement between the metal roof and photovoltaic components.

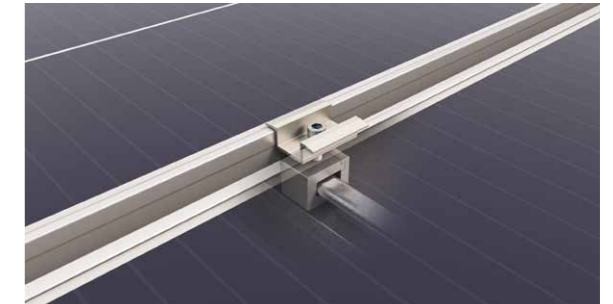


## Product Features

### Q-lok Trackless Quick-Lock Technology

Just 3 steps, directly and quickly lock the SR6® roof edge, instantly complete the panel fixing, and greatly improve installation efficiency.

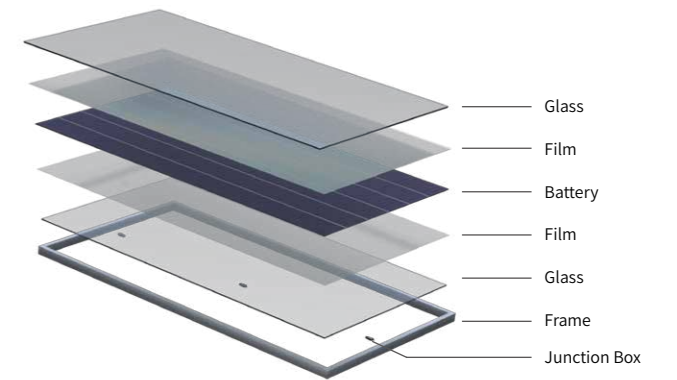
- 1 component, 4 roof panels, 4 quick-lock fixing points.
- Q-lok quick-lock structure, super-strong locking seam replaces the track.
- Based on the super-strong 450-degree locking seam of the SR6 roof, the Q-lok single-point breaking load is 4.0KN.



### Double-sided Dual-glass Components, More Efficient Absorption on Both Sides

Double-sided dual-glass photovoltaic components, with the back side encapsulated in glass, can absorb the reflected sunlight from the roof surface, increasing power generation, more efficient absorption on both sides. The double-sided dual-glass fully-framed components selected by Unify™ have excellent waterproofing effects, avoiding the moisture penetration risks at the edges of frameless components.

- Absorbing sunlight from both sides, greatly increasing power generation.
- Zero water permeability, low decay, long life.
- Large heat capacity, reducing hot spot effects.



### Photovoltaic White™ Coating, Ultra-high Power Generation Gain

Wiskind has conducted in-depth research on the power generation efficiency of double-sided components on different roof materials and has developed a photovoltaic white™ energy coating technology for metal roofs. The photovoltaic white™ coating efficiently reflects and doubles the power generation.

- Sunlight enters through the panel seams and is efficiently reflected by the photovoltaic white™ coating on the panel surface.
- The power generation of double-sided battery components can be increased by 11~12% compared to single-sided battery components.
- The power generation gain on the back side is about 3 times that of ordinary roof panels.
- 30-year performance guarantee, matching the warranty period of photovoltaic components.





# MR9 Standing Seam Roofing System Solution



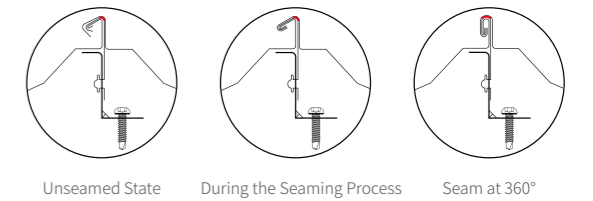
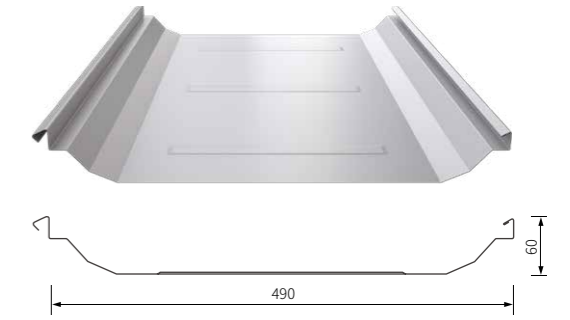
Wiskind MR9 standing seam roofing system is an economical 360° seam locking metal roof system developed by themselves, which ensures the quality of the seam locking without damaging the coating, ensuring the reasonable service life of the steel plate, and providing excellent waterproofing and wind resistance, making it stand out.



## Product Features

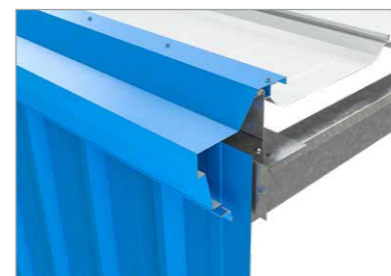
### Reliable Waterproofing

- 360° standing seam technology: The male and female ribs are closely fitted at the edge of the roll seam, meeting the wind resistance and waterproof requirements of most areas.
- Sliding support: The sliding of the support and the deformation of the ridge cap release the temperature stress, ensuring long-term reliable wind resistance and waterproof performance.
- Pre-injected sealant provides better water and air tightness, as well as resistance to snow and frost.
- Panels are usually pressed on site: No lap joints on non-translucent panels, reducing the risk of roof leakage.
- Sleeve connection: Pre-punched roof panels are connected with the ridge cap and the overlapping back plate at the ridge with pre-planted bolts.
- Nut triple relaxation technology: Ensures that the performance of fasteners remains in the initial state under long-term service conditions, and the nodes maintain long-term waterproofing.



### Roof Daylighting and Photovoltaic Component Integrated Design

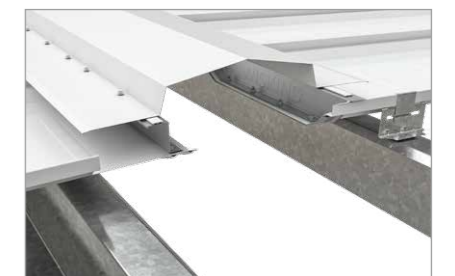
Recommend the layout of the daylighting panel through the length to increase the area of component layout and improve the utilization efficiency of the roof (which can be more than 80%). According to the different column spacing and daylighting rate, the best daylighting strip and photovoltaic component optimization layout plan is provided during roof design.



Sliding Node at the Eaves of the Gable Wall



Internal Gutter



Ridge Node



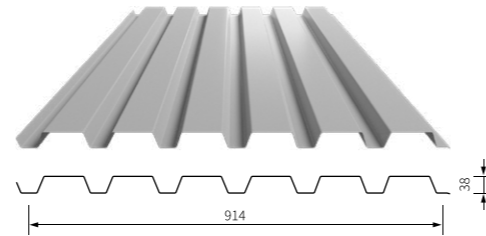


# Single-ply Roofing Systems

A Seamless Combination of Hardness and Softness

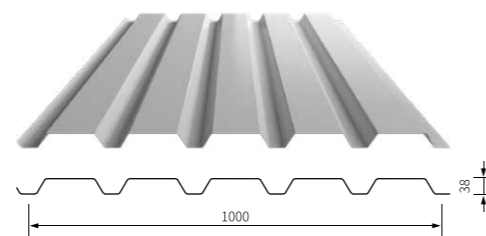
## W38 Roof Bottom Plate

- FM-certified steel base panel specifically designed for single-layer waterproof roofing, with excellent section performance.
- Its peak platform width is greater than the opening width, suitable for the combination of FM-certified insulation materials and flexible waterproofing membranes, forming a complete wind-resistant and waterproof roofing system.
- Compared with ordinary metal roof panels, using the W38 roof base panel can increase the purlin spacing under the same load to fully utilize its excellent section characteristics.



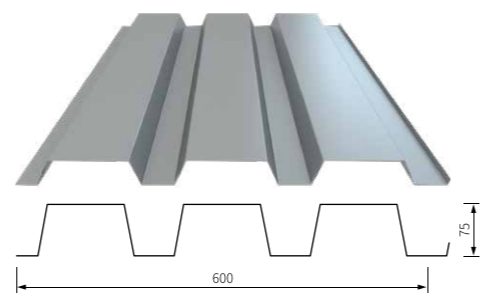
## WR38 Roof Bottom Plate

- Fast installation, economical and efficient.
- The panel width reaches 1m, which is the widest in the category of roof base panels, greatly increasing installation speed and effectively enhancing economy.
- The WR38 has a peak-to-peak spacing of 200, compatible with the dimensions of roof insulation panels; the wide platform at the top of the panel can fully utilize the compressive strength of the insulation panel, improving flatness; it is also compatible with various membrane fastener connection methods.



## W75 Roof Bottom Plate

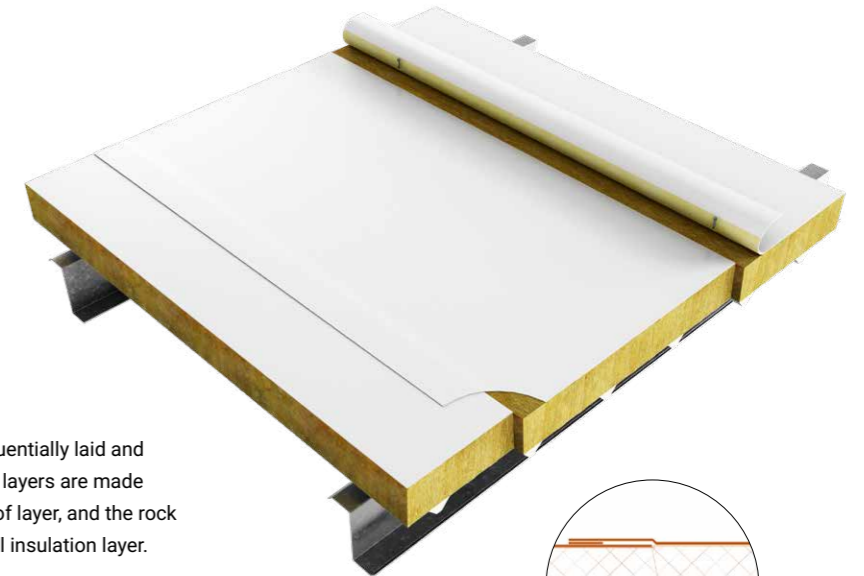
- Its excellent mechanical properties can support the requirements of un-purlined construction for steel structure roofs.
- A large-span structural base panel that can support independently.
- Suitable for combination with rigid insulation materials and flexible waterproofing membranes, also serving as a safe working platform for roof construction.



## BiTOP® Assembled Flexible Roofing System



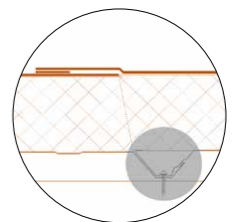
BiTOP® is a fast assembled flexible roofing system. Made with TPO membranes and profiled steel sheets as the surface layer, and a special rock wool core material bonded between the layers, it is manufactured on a continuous production line in the factory. It is an assembled building material product that combines the advantages of different materials, being both rigid and flexible.



### System Construction

BiTOP® assembled flexible roofing system is sequentially laid and fixed on the roof structure. Adjacent TPO surface layers are made continuous by hot air welding to form a waterproof layer, and the rock wool is tightly bonded to form a complete thermal insulation layer.

The factory-prefabricated integrated product has a simple three-step installation process: positioning, nailing, and welding.



The numerous fasteners and washers of conventional flexible roofs are significant thermal bridges, while the fasteners used in BiTOP® are deeply embedded in the roof base panel, eliminating thermal bridges for better insulation.

### Quality Above All

BiTOP® selects high-quality TPO membranes as the surface layer, which exhibits excellent adhesion performance with rock wool insulation materials and superior welding performance to ensure long-term reliable waterproof seams.

The factory-prefabricated integrated product has a simple three-step installation process: positioning, nailing, and welding.

- No plasticizers, no cracking risk, strong weldability, and high seam peel strength.
- Excellent weather resistance and thermal aging performance; can bend at -40°C without cracks.
- Resistant to acids, alkalis, salts, animal fats, vegetable oils, and lubricating oil corrosion.
- Green, chlorine-free, non-polluting, recyclable, and environmentally friendly.
- Energy-saving and eco-friendly, with high reflectivity, smooth surface, and stain resistance.
- Service life up to 30 years, Class I waterproofing (resin layer thickness of 1.8mm), Class II waterproofing (1.5mm).

BiTOP® selects high-quality roof rock wool as the insulation material, meeting all performance indicators for rock wool in mechanical fixation methods and mechanical properties requirements for rock wool.

- A-class non-combustible.
- Compression and tread-resistant.
- High board strength and rigidity.
- Adhesion strength of the product reaches up to 0.15MPa, firmly bonding with the upper and lower layers.
- Membrane and rock wool bonding, 90° peel strength > 30 N/50mm.

The bottom plate of BiTOP® uses high-quality galvanized or galvalume steel plates in natural color. The cross-sectional characteristics of the profiled steel plate provide BiTOP® with the ability to withstand roof snow loads and live loads.



## Product Features

### Strong insulation, Creating a Comfortable Space

- The numerous fasteners and washers of conventional flexible roofs are significant thermal bridges, while the fasteners used in BiTOP® are deeply embedded in the roof base panel, eliminating thermal bridges for better insulation.
- BiTOP® selects high-quality rock wool core material, with 100mm thickness offering excellent insulation performance, and the thermal conductivity obtained from actual sample testing is  $\leq 0.40 \text{ W/m}^2\cdot\text{K}$ .
- The 100mm thickness of BiTOP®'s insulation and thermal insulation performance can meet the thermal performance requirements of most industrial building roofs, except for the severe cold AB areas (approximately north of 45° latitude).

### High strength and wind resistance, Not Afraid of Strong Winds

- The minimum configuration of BiTOP® is sufficient to meet the wind resistance requirements of most industrial building projects (basic wind pressure  $\leq 0.5\text{kPa}$ ), and higher wind resistance requirements can be achieved by increasing the density of purlins or nail spacing.
- Customized anti-wind design calculation program, based on various test data and specifications/standards for design calculation, ensuring the technical and economic feasibility of the roof design scheme.

### Excellent waterproofing, Worry-free and Worry-saving Roof

#### During installation:

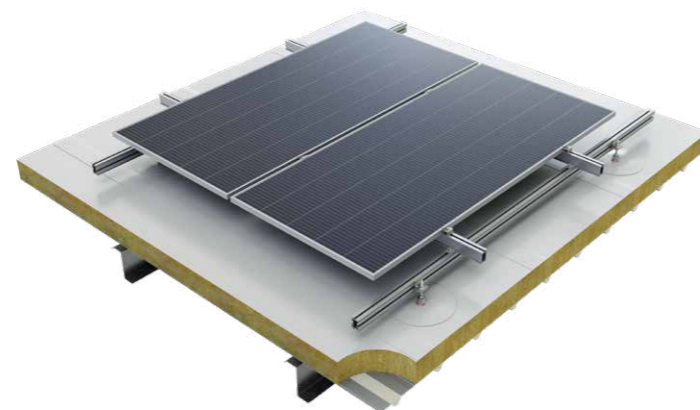
- The finished product protection of conventional flexible roofing installation processes is difficult, and during rainy season construction, insulation is prone to moisture absorption. BiTOP®'s waterproof membrane layer is fully adhered to the rock wool, and with fewer installation processes, the construction process is waterproof.

#### In service after completion:

- Conventional mechanically fixed flexible roofing systems can cause the membrane to bulge in wind and rain, preventing rainwater from flowing down to the gutter. Water accumulates at the seams, and when the membrane bulges, a cavity is formed between the membrane and the insulation, creating a negative pressure. If there are defects in the welding, rainwater may be sucked into the lower part of the membrane, causing leakage.
- BiTOP® roofing system, the membrane is fully adhered and fixed to the insulation rock wool, and the seams are aligned with the slope, overcoming this defect.

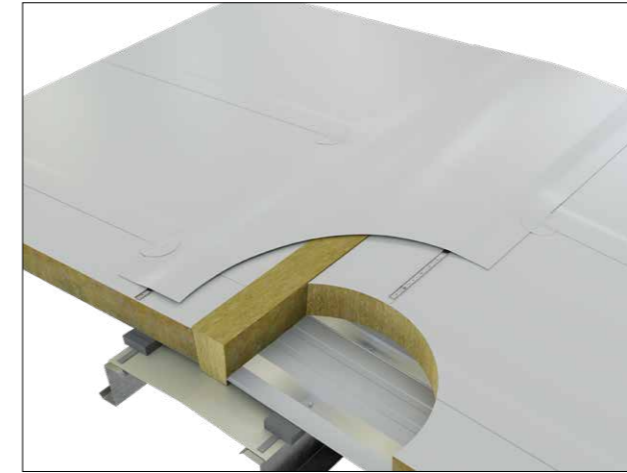
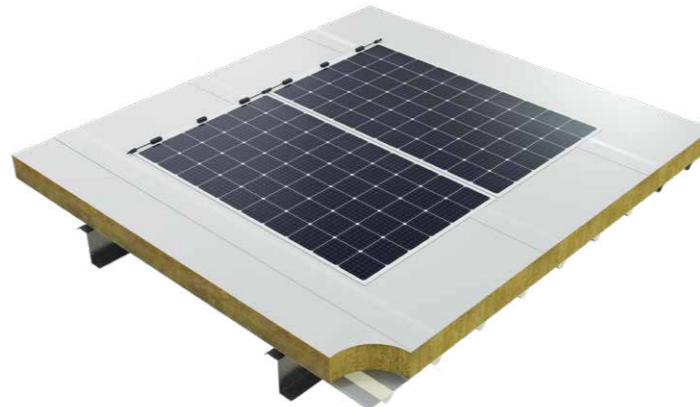
## Conventional Photovoltaic Roof Component Solution

The Must BiTOP® rooftop photovoltaic solution provides reliable waterproofing and improved thermal insulation performance, while also maximizing the efficiency of the photovoltaic modules.

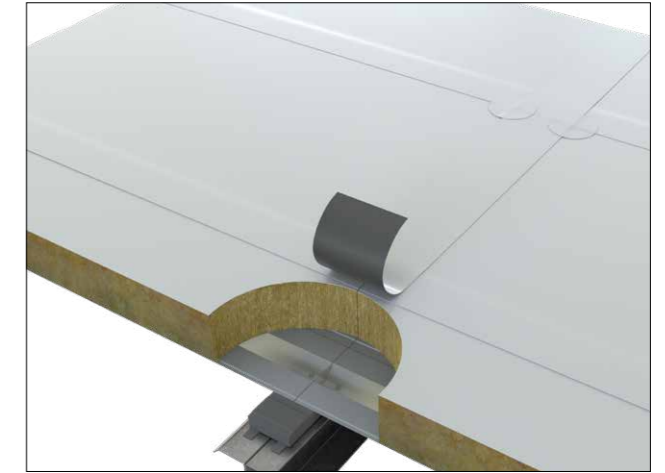


## Lightweight Photovoltaic Roof Component Solution

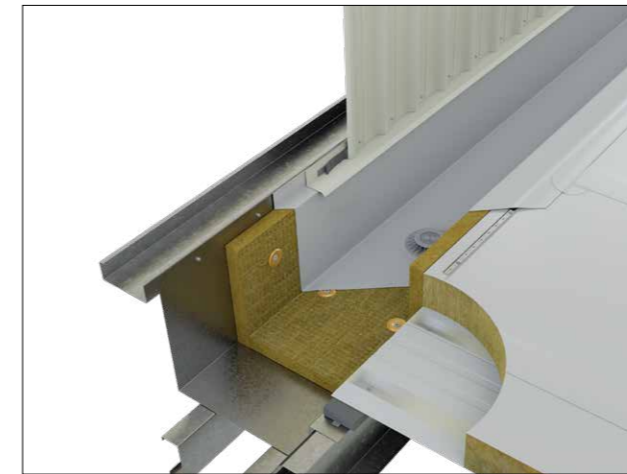
The Must BiTOP® rooftop utilizes lightweight and ultra-thin flexible monocrystalline silicon modules, weighing less than 3kg/m² and with a thickness of only 2.5mm, meeting the requirements of various low-load projects.



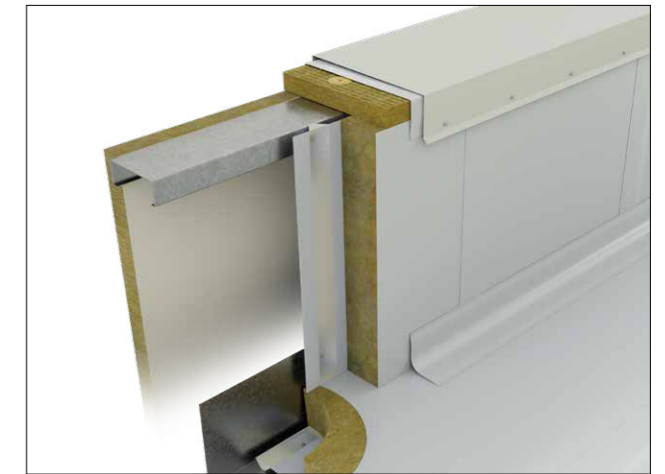
Ridge Structure



Lap Joint Structure



Gutter Structure



Gable Wall Structure



© Qingdao Oriental Wuhong (Lixin) Manufacturing Base



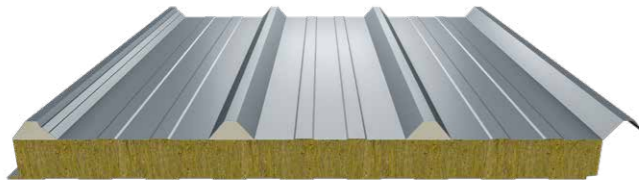
# Sandwich Roofing Systems

Simple Yet Sophisticated



## BiLAP®

BiLAP® roof sandwich panels are made of profiled steel sheets as the top and bottom layers, with rock wool core material bonded between the layers, manufactured on a continuous production line to create a lapped roof sandwich panel. There is a rich selection of Class A waterproof solutions for different project types.

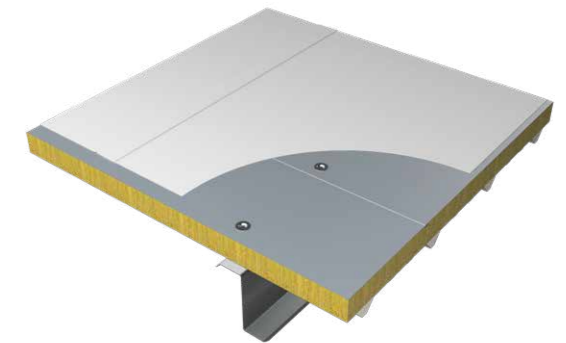


Qingdao Oriental Yuhong (Laixi) Manufacturing Base

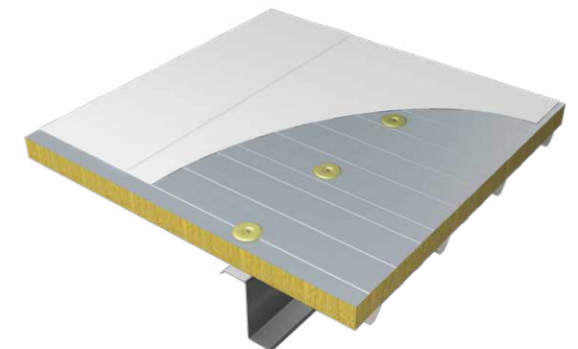
## Product Features

- Assembled: Highly integrated structure with extremely fast installation speed.
- Waterproof: A single-layer waterproof membrane is laid on top of the metal-faced sandwich panel, with the membranes welded together by hot air to achieve overall waterproofing.
- High strength: Fully utilizes the rigidity of the metal profiled sheet, offering better resistance to trampling, suitable for the setting of additional layers (structures) such as lightning protection and walkways on the roof.
- Insulation: Polyurethane rigid foam is filled at the peaks of the profiled sheet, enhancing thermal insulation and mechanical performance.
- Photovoltaic: On the basis of reliable waterproofing, the roof has better insulation performance and can maximize the power generation efficiency of photovoltaic components.
- Aesthetics: The peaks are fixed to the purlins, resulting in a neat and beautiful indoor effect.

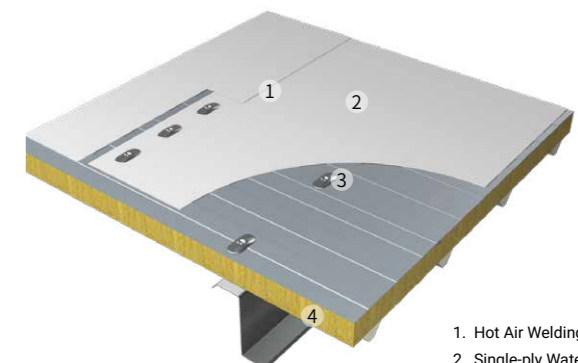
When a single-layer waterproof membrane is laid on the reverse-installed metal-faced sandwich panel to form a whole, it creates a Class A waterproof structure that meets stringent requirements for water and air tightness.



BiLAP® Level 1 Waterproof Structure (Adhesion)



BiLAP® Level 1 Waterproof Structure (Mechanical Fastening, Non-Perforated Fastening)



BiLAP® Level 1 Waterproof Structure (Mechanical Fastening, Point Fastening)

1. Hot Air Welding
2. Single-ply Waterproofing Membrane
3. Sandwich Panel Fastener
4. BiLAP® Sandwich Panel



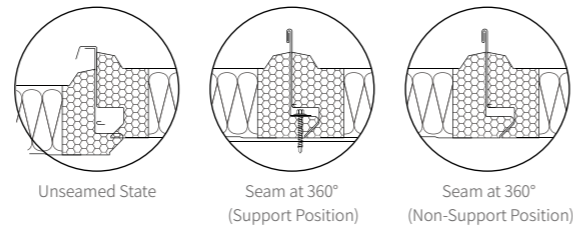
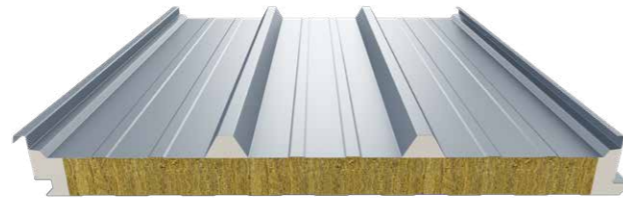
# BiLOK®

BiLOK® roof sandwich panels are made of profiled steel sheets as the top and bottom layers, with rock wool core material bonded between the layers, manufactured on a continuous production line to create a 360° seam-locked roof sandwich panel.



## Product Features

- Good waterproofing: 360° seam-locked roof sandwich panel, with double sealing measures at the lap joints, reliable water and air tightness, not afraid of capillary water penetration.
- Short construction period: BiLOK® reduces on-site installation procedures to one-third compared to single-layer metal roofing systems, shortening the construction period.
- High strength: The double metal-faced sandwich panel structure combined with the 42mm wave profile of the outer panel offers excellent ultimate bending load-bearing capacity, supporting a maximum purlin spacing of 2.4m.
- Good insulation: The insulation layer remains intact, and with the addition of polyurethane rigid foam at the peaks of the profiled sheet, the thermal insulation performance is even better.
- Multi-functional: It can be equipped with Unify™ photovoltaic solutions and KeSheng Acous® sound-absorbing sandwich panel product technologies according to different needs.



Compared to other roofing systems, the smooth bottom steel plate of the BiLOK® sandwich panel located on the indoor side makes the interior more aesthetically pleasing, eliminating the need for secondary decoration.



Linyi Gree Electric Appliance Industrial Park



Xuzhou 10GW Photovoltaic Industry Park



# Floor Decking System

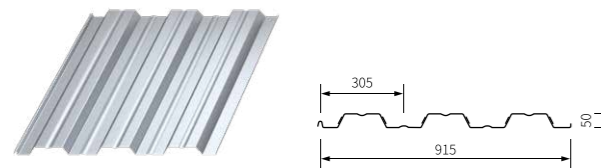
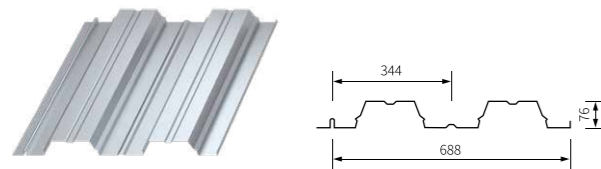
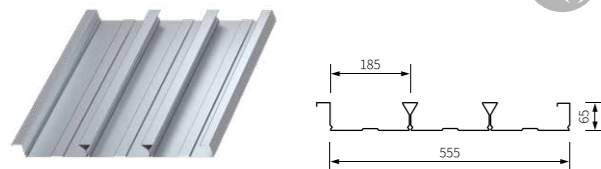
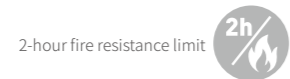
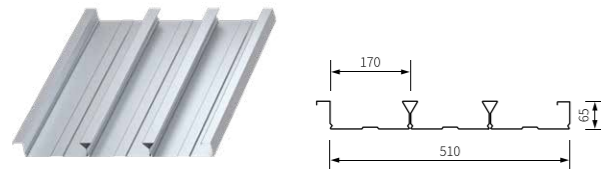
Bear Heavy Responsibilities Effortlessly

## Floor Deck

The galvanized steel sheet is roll formed, of which the cross-section is designed into trapezoidal, inverted trapezoid or other similar shaped waves, which is used as a permanent support for floor formwork in construction. It is not only a permanent support for the floor formwork, but also able to work with cast-in-place concrete based on design, to become a permanent part of the building. The floor formworks of Wiskind are divided into two types: open floor deck and closed floor deck.



With regard to application method, it is divided into 2 types. One is that it is only used as a formwork for cast-in-place concrete floors during construction, as non-composite floor deck; the other is that it is not only used as a construction formwork, but after the floor concrete reaches the designed strength, the profiled steel panel is able to take the place of the steel bars at the bottom of floor deck to work with the concrete and form a composite floor that saves the steel bars at the bottom of the deck. The composite floor deck made of profiled steel panel and concrete is a new type of structural member, and currently is mainly used in high-rise steel structures, as well as steel-concrete composite structures.



### DFP510

Effective Width (mm)	Expanded Width (mm)	Total Thickness (mm)	Yield Strength (N/mm <sup>2</sup> )	Moment of Inertia (cm <sup>4</sup> /m)	Moment of Resistance (cm <sup>3</sup> /m)	
					Wx1	Wx2
510	1000	0.8	250	96.84	51.52	21.91
510	1000	1.0	250	121.1	64.41	27.40
510	1000	1.2	250	145.4	77.35	32.90

### DFP555

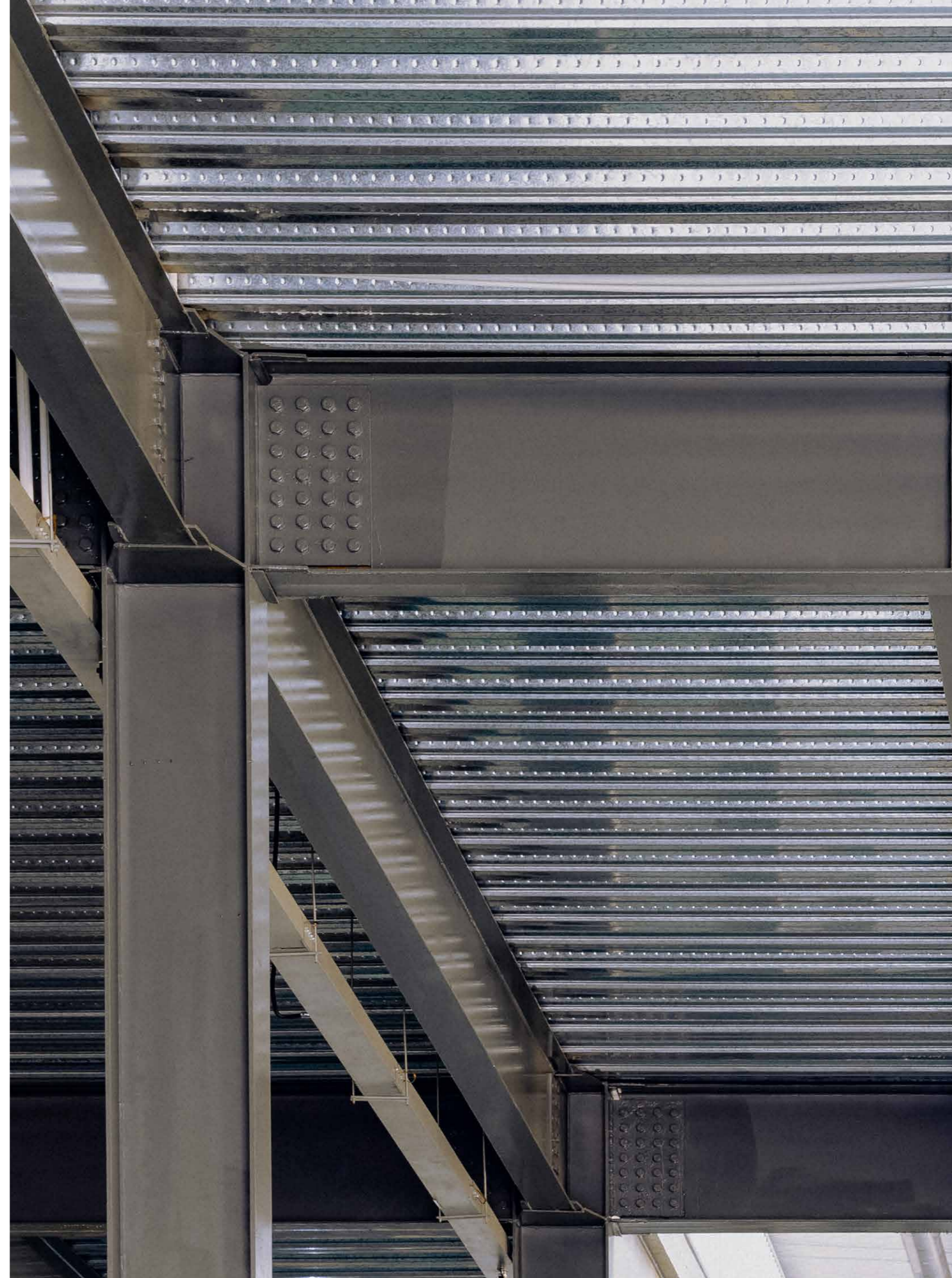
Effective Width (mm)	Expanded Width (mm)	Total Thickness (mm)	Yield Strength (N/mm <sup>2</sup> )	Moment of Inertia (cm <sup>4</sup> /m)	Moment of Resistance (cm <sup>3</sup> /m)	
					Wx1	Wx2
555	1045	0.8	250	91.55	50.58	20.39
555	1045	1.0	250	114.5	63.61	25.44
555	1045	1.2	250	137.5	75.97	30.48

### DOTP688

Effective Width (mm)	Expanded Width (mm)	Total Thickness (mm)	Yield Strength (N/mm <sup>2</sup> )	Moment of Inertia (cm <sup>4</sup> /m)	Moment of Resistance (cm <sup>3</sup> /m)	
					Wx1	Wx2
688	1000	0.8	250	117.91	34.13	27.91
688	1000	1.0	250	147.42	42.50	34.84
688	1000	1.2	250	176.97	50.84	41.75

### DOTP915

Effective Width (mm)	Expanded Width (mm)	Total Thickness (mm)	Yield Strength (N/mm <sup>2</sup> )	Moment of Inertia (cm <sup>4</sup> /m)	Moment of Resistance (cm <sup>3</sup> /m)	
					Wx1	Wx2
915	1150	0.8	250	45.49	17.08	18.82
915	1150	1.0	250	56.87	21.26	23.44
915	1150	1.2	250	68.26	25.40	28.05

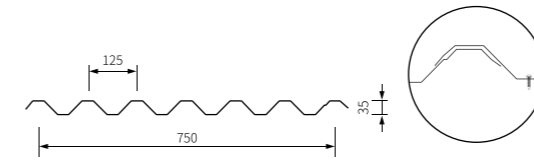




# Classic Panel Types

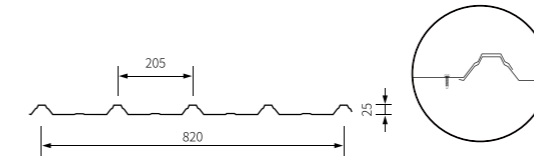
Long-lasting with Eternal Value

## Classic Façade Panels



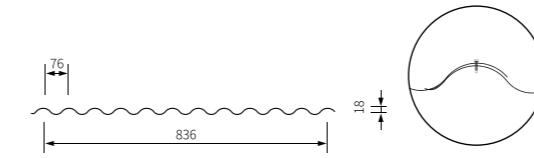
### 750

Effective Width (mm)	Expanded Width (mm)	Total Thickness (mm)	Yield Strength (N/mm <sup>2</sup> )	Moment of Inertia (cm <sup>4</sup> /m)	Moment of Resistance (cm <sup>3</sup> /m)	
					Wex <sup>+</sup> Wex <sup>-</sup>	Wx2
750	0.53	300		11.25	5.84	5.96
750	0.60	300		12.74	6.85	6.98



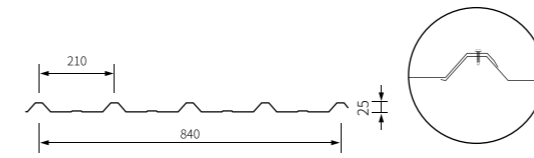
### 820

Effective Width (mm)	Expanded Width (mm)	Total Thickness (mm)	Yield Strength (N/mm <sup>2</sup> )	Moment of Inertia (cm <sup>4</sup> /m)	Moment of Resistance (cm <sup>3</sup> /m)	
					Wex <sup>+</sup> Wex <sup>-</sup>	Wx2
820	0.53	300		4.57	2.26	2.10
820	0.60	300		5.18	2.60	2.39



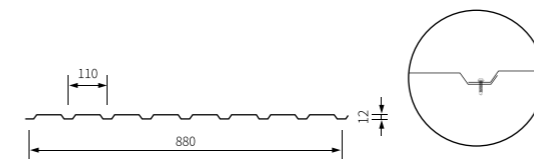
### 836S

Effective Width (mm)	Expanded Width (mm)	Total Thickness (mm)	Yield Strength (N/mm <sup>2</sup> )	Moment of Inertia (cm <sup>4</sup> /m)	Moment of Resistance (cm <sup>3</sup> /m)	
					Wex <sup>+</sup> Wex <sup>-</sup>	Wx2
836	0.53	300		2.41	2.61	2.61
836	0.60	300		2.73	2.94	2.94



### 840

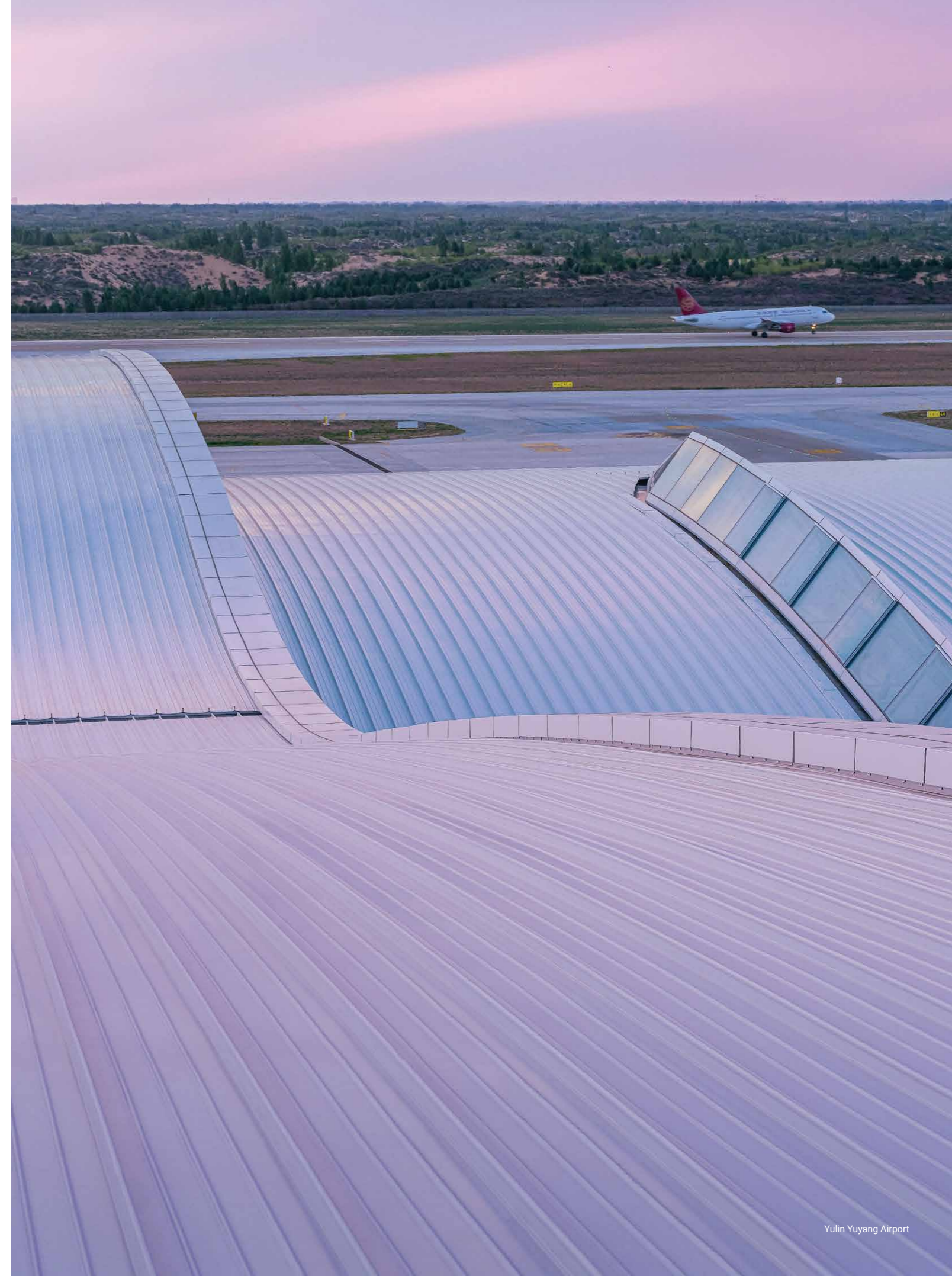
Effective Width (mm)	Expanded Width (mm)	Total Thickness (mm)	Yield Strength (N/mm <sup>2</sup> )	Moment of Inertia (cm <sup>4</sup> /m)	Moment of Resistance (cm <sup>3</sup> /m)	
					Wex <sup>+</sup> Wex <sup>-</sup>	Wx2
840	0.53	300		7.06	3.13	3.03
840	0.60	300		7.99	3.56	3.46



### 880

Effective Width (mm)	Expanded Width (mm)	Total Thickness (mm)	Yield Strength (N/mm <sup>2</sup> )	Moment of Inertia (cm <sup>4</sup> /m)	Moment of Resistance (cm <sup>3</sup> /m)	
					Wex <sup>+</sup> Wex <sup>-</sup>	Wx2
880	0.40	300		1.14	1.18	1.09
880	0.50	300		1.42	1.57	1.51





## TR65 Standing Seam Roofing System

### Durable

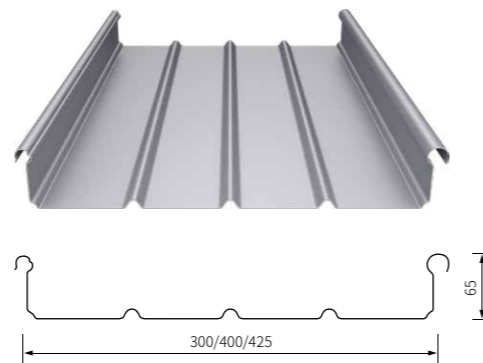
- The base material is anti-corrosive, made of alloy 3004 aluminum magnesium manganese, which inherently has strong anti-corrosive properties.
- Surface damage caused by transportation or construction does not affect the anti-corrosive performance.

### Reliable Waterproofing

- The fixing method uses hidden clips with a mechanical locking seam, with no screws penetrating the roof surface, effectively avoiding potential water leakage.
- The horizontal lap joints are made with a special seaming machine, ensuring good sealing and measures against capillary seepage.

### Good Adaptability to Shapes

- Two rib heights are available for selection, suitable for different slopes and visual effects.
- Aluminum magnesium manganese has considerable strength as well as good flexibility, enabling the creation of complex shapes such as arcs, fans, and three-dimensional curved surfaces, while ensuring waterproof capabilities, perfectly realizing various design ideas.





# Substructures & Auxiliary Materials

Long-lasting with Eternal Value

## Purlin

Wiskind purlin system takes high-strength hot-dip galvanized steel as raw material, and mainly consists 2 cross-sections, Z-type and C-type. The galvanized type-C purlin is cold-formed, and rolled into a new type of steel with a uniform wall thickness, excellent cross-section performance and high strength. Compared with conventional hot rolling, 30% of materials can be saved to achieve the same strength. The galvanized type-Z is a common cold-formed thin-walled steel panel processed in accordance with the GB50018-2002 standard, while its length and hole locations are processed as per client needs.



## Edge Trim System

The metal panel, used as the metal accessory for eave flashing and edge trimming of the cladding system, is formed by bending. It is mainly used for waterproof and aesthetic decoration of door / window edges, corners, eaves, canopies and other parts of steel structure factory buildings, among others. The panel is made of coated steel according to the needed size. The design, production, and installation of the steel structure edge trims directly affect the waterproof and anti-leakage effects of the plant, so it is of great importance. Through appropriate details design, imported processing equipment, great processing accuracy, proper shipping method, specialized onsite construction, and stringent supervision, the Wiskind edge trim series ultimately guarantees the construction quality of the whole project, meeting the requirements for waterproofing, cold-breaking and other functions, while ensuring building aesthetics.



## Wiskind® Fastener



Under aerobic conditions, oxides are formed on metal surface, which will lead to functional failure over time; China has a long coastline, and its main developed regions are concentrated in the coastal zone of marine climate, where the abundant chloride ions in the air form a corrosion resistance test of the bolt; in addition to geographical location, the different thermal conductivity and potential difference (PD) of different materials in the cladding system cause certain condensed water to adhere to the bolt, leading to rust on bolt fasteners and endangering the safety of the cladding structure; the atmospheric environment is deteriorating day after day. "Smog" endangers human health and the service life of buildings. Acid rain caused by air pollution, UV rays during exposure to sunlight and other factors all pose challenges to the service life and durability of bolts.

Wiskind fastener series developed by the whole R&D team is a leading product that can not only improve the anti-corrosion performance of building fasteners, but also last throughout the full life cycle of buildings. The advent of Wiskind fasteners offers the best solution to common construction fastener problems on the market. The product is applied to the roof and façade of steel structures, including panels, trims and other parts. Its special drillbit-shaped tail makes it efficient and durable in the construction process. The Wiskind fastener series includes hexagonal flower-shaped pan head self-drilling & self-tapping screws, hexagonal flange face wood screws, hexagonal flange self-drilling & self-tapping screws, hexagonal flange face self-drilling & self-tapping screws, cross recessed flat-head self-drilling & self-tapping screws, countersunk head plum blossom self-drilling & self-tapping screws, etc., so as to respectively respond to different application scenarios.





## Smart Manufacturing

Wiskind has established multiple production bases across the country, and has introduced many world-leading production equipment, such as PUMA / OMS / RAS, to provide custom solutions for different products and different production lines. The above equipment features high precision, precise processing, high level of automation, convenient dynamic adjustment, fast response, high production efficiency, and is more eco-friendly, thus providing favorable hardware support for the production of high-quality panels.

## Smart Delivery

Based on BIM (Building Information Modeling), the four industry chains of smart design, smart manufacturing, smart logistics, and smart construction are closely connected and linked together.

- BIM-based intelligent design system for the envelope system.
- 3D effect, intuitive experience.
- The intelligent delivery app for real-time visualization of construction management.
- Scan the code to watch the animated construction tutorial, which is clear and easy to understand.
- Real-time tracking of orders.
- Reduce labor and errors.
- Data analysis to provide multi-dimensional solutions.

# PROFESSIONAL SERVICES

## Committed to the Convenience and the Prestige of Our Clients

### Solution Design

Wiskind professional technical personnel analyze the overall plan of the customer's engineering project, further understand the customer's personalized needs, the architect's design intentions, listen to the opinions and suggestions of the general contractor and the construction party, combine the technical features of Wiskind products, optimize and deepen the design of the product application plan, and calculate the quantity and cost of various products.

### Establish Cooperation

Wiskind detailed design scheme is confirmed by the client, architect, and construction party. Wiskind business personnel negotiate with the client to reach an agreement on important business terms. On this basis, both parties sign a supply and service agreement, and Wiskind initiates the fulfillment process, as well as related material preparation and pre-production preparations.

### Order Production

During the project fulfillment process, Wiskind closely cooperates with the actual needs of the construction party according to the customer's construction progress, and strictly produces according to the customer's order specifications, quantity, technical requirements, and delivery schedule. The entire process, from raw material entry, production line scheduling, to finished product inspection, implements a seamless quality control.

### Logistics & Delivery

Wiskind cooperates with large logistics companies to build a fast delivery network covering the whole country. Combined with advanced digital technology, Wiskind adopts standardized product packaging, material identification, and loading standards to ensure that products are safely and efficiently delivered, and to create good conditions for material management and convenient construction at the construction site.

### Construction Guidance

To facilitate the smooth progress of the customer's project, Wiskind equips each project with a professional on-site installation guidance engineer, responsible for the installation training of Wiskind products,

technical briefing, and coordinating and resolving various issues encountered at the construction site, to ensure that the products are installed and constructed according to the specifications and to achieve the design effect.

### Regular Maintenance

Wiskind sets up a professional after-sales service position to register and file the completed delivery projects. In the early stage of completion, a large sample customer satisfaction survey is carried out to understand the customer's evaluation of Wiskind product quality, product delivery, and customer service, providing a basis for work improvement and process optimization. During the product usage period, regular or irregular visits are made to understand the usage situation and to promptly deal with any issues found.

### Smart Manufacturing

Wiskind has established multiple production bases across the country, and has introduced many world-leading production equipment, such as PUMA / OMS / RAS, to provide custom solutions for different products and different production lines. The above equipment features high precision, precise processing, high level of automation, convenient dynamic adjustment, fast response, high production efficiency, and is more eco-friendly, thus providing favorable hardware support for the production of high-quality panels.

### Smart Delivery

"Based on BIM (Building Information Modeling), the four industry chains of smart design, smart manufacturing, smart logistics, and smart construction are closely connected and linked together."

BIM-based intelligent design system for the envelope system.

3D effect, intuitive experience

The intelligent delivery app for real-time visualization of construction management.

Scan the code to watch the animated construction tutorial, which is clear and easy to understand.

Real-time tracking of orders.

Reduce labor and errors.

Data analysis to provide multi-dimensional solutions.



# OUR PARTNERS



Mutual Success Through  
Sincerity and Integrity